

Elite LP Lite Series Dual Sliding Door

Install/User Guide



Table of Contents

Safety Information	3
Warranty	3
Pre-Assembly	5
Planning Assembly	5
Tools Required.....	5
Hardware Included.....	5
Main Components.....	7
Assembly	8
Operation	17
Cleaning.....	23

Safety Information

- While unpacking use caution with sharp objects such as razors to avoid damaging the product.
- A minimum of two people should be available to install this product.
- While drilling or using power tools safety glasses and gloves should be worn to avoid injury.

Warranty

Subzero Engineering warrants to the original purchaser that it will, as its sole option, repair or replace this product or any part of this product, if it confirms that the product is defective in materials or workmanship under normal use and maintenance for one year after the purchase date of the product.

This limited 1 (one) year warranty DOES NOT COVER the following:

1. Defects or damage arising from shipping, installation, alterations, accidents, abuse, misuse, lack of proper maintenance and use of other than genuine Subzero replacement parts, in all cases whether caused by a contractor, service company, the owner or any other person.
2. Deterioration through normal wear and tear.
3. Damages resulting from abuse or misuse from failure to install or maintain this product in accordance with the written instructions furnished by Subzero Engineering.
4. Use of Cleaning Products Containing Calcium Hypo Chlorite (Chlorine), Scouring Powders or pads shall not be covered.
5. Expense of normal maintenance.
6. All costs of removal, transportation, labor, reinstallation or other costs including postage and/or shipping costs to obtain warranty service shall be paid by the customer.
7. Any liability for consequential or incidental damages, all of which are hereby expressly disclaimed, and implied warranties, including those of merchantability or fitness for purpose intended are specifically excluded. (Some jurisdictions do not allow limitations on how long an implied warranty lasts, or the exclusion or limitation of incidental or consequential damages, so these limitations and exclusions may not apply to you.)
8. Responsibility for compliance with local code requirements are excluded from this warranty. (Since local code requirements vary greatly, distributors, dealers, installation contractors, and users should determine whether there are any code restrictions on the installation or use of a specific product.)

This limited warranty gives you specific legal rights. You may have other statutory rights that vary from state to state or from province to province, in which case this limited warranty does not affect such statutory rights.

Limited Warranty Contact Information

For service under these limited warranties, it is suggested that a claim be made through the contractor or dealer from or through whom the product was purchased.

Warranty information may also be obtained by calling: (800) 692-4376 or via email at customerservice@subzeroeng.com.

Pre-Assembly

Planning Assembly

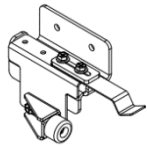
Unpack all items and compare them to the Hardware Included and Package Contents lists. Lay all parts on a flat non-abrasive surface such as cardboard. If any item appears damaged or is missing, do not assemble and contact Subzero Engineering.

*It is recommended that at least two people assemble this product

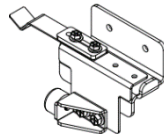
Tools Required

- Level
- Tape Measure
- Power Drill
- 1/4" Drill Bit
- Phillips and Flat Head Screwdriver

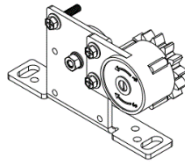
Hardware Included



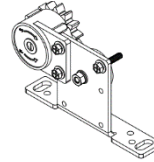
Hold-Open Latch
LH
x 1



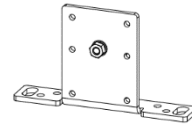
Hold-Open Latch
RH
x 1



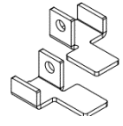
Auto Closer RH
x 1



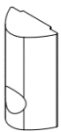
Auto Closer LH
x 1



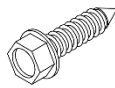
Door Hanger
x 2



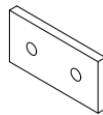
Door Retaining
Fittings LH & RH
x 4



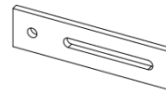
1.2.000.24232
40s-M6 T-Nut
x 26



HB50038
#14x1 HWH Tex
x 4



1.2.151.11001
2 Hole Joining Strip
x 2



1.2.151.11023
2 Hole Slotted 6"
Joining Strip
x 2



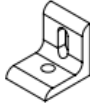
1.2.000.21115
1/4x2-1/2 Concrete
Fastener
x 4



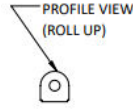
1.2.000.51052
5mm Allen Wrench
x 1



1.2.000.51040
4mm Allen Wrench
x 1



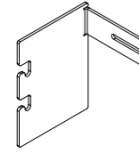
1.2.151.12001
2 Hole Corner Bracket
x 2



1.1.000.90006
D-Foam Seal w/BT
1/2" x 1/2"
x 32 Ft



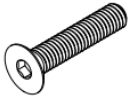
1.2.052.31265
Valance Mount RH
x 1



1.2.052.31266
Valance Mount LH
x 1



1.2.001.31135
Door Handle
x 2



1.2.000.20343
M6x30 Flat Head
Socket Cap
x 4



1.2.052.31225
Rear Handle Mounting
Plater
x 2



1.2.062.31271
Sliding Door Guide
LH
x 1



1.2.062.31270
Sliding Door Guide
RH
x 1



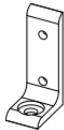
1.1.000.90078
Felt Glide
0.75x5mm
x 6



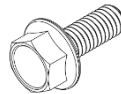
1.2.000.20154
M8x16 Button Head
Socket Cap
x 4



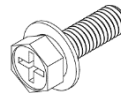
1.2.000.20142
M6x12 Button
Head Socket Cap
x 4



1.2.051.15110
1"-05s Floor Mount
Base Plate
x 4



1.2.000.20380
M6x16 Flanged Head
Cap Screw
x 22



1.2.000.20454
M5x16 Phillips Hex
Screw w/Washer
x 24

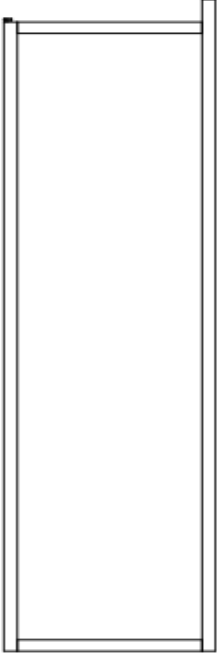


1.2.000.23751
0.010" U-Shim
x 12

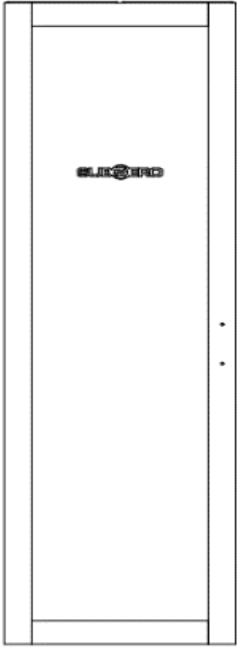


1.2.000.21022
3/8 Indent Hex 1/4-14
Self-Drill Screw
x 4

Main Components



Door Frame
x 2



Door
x 2



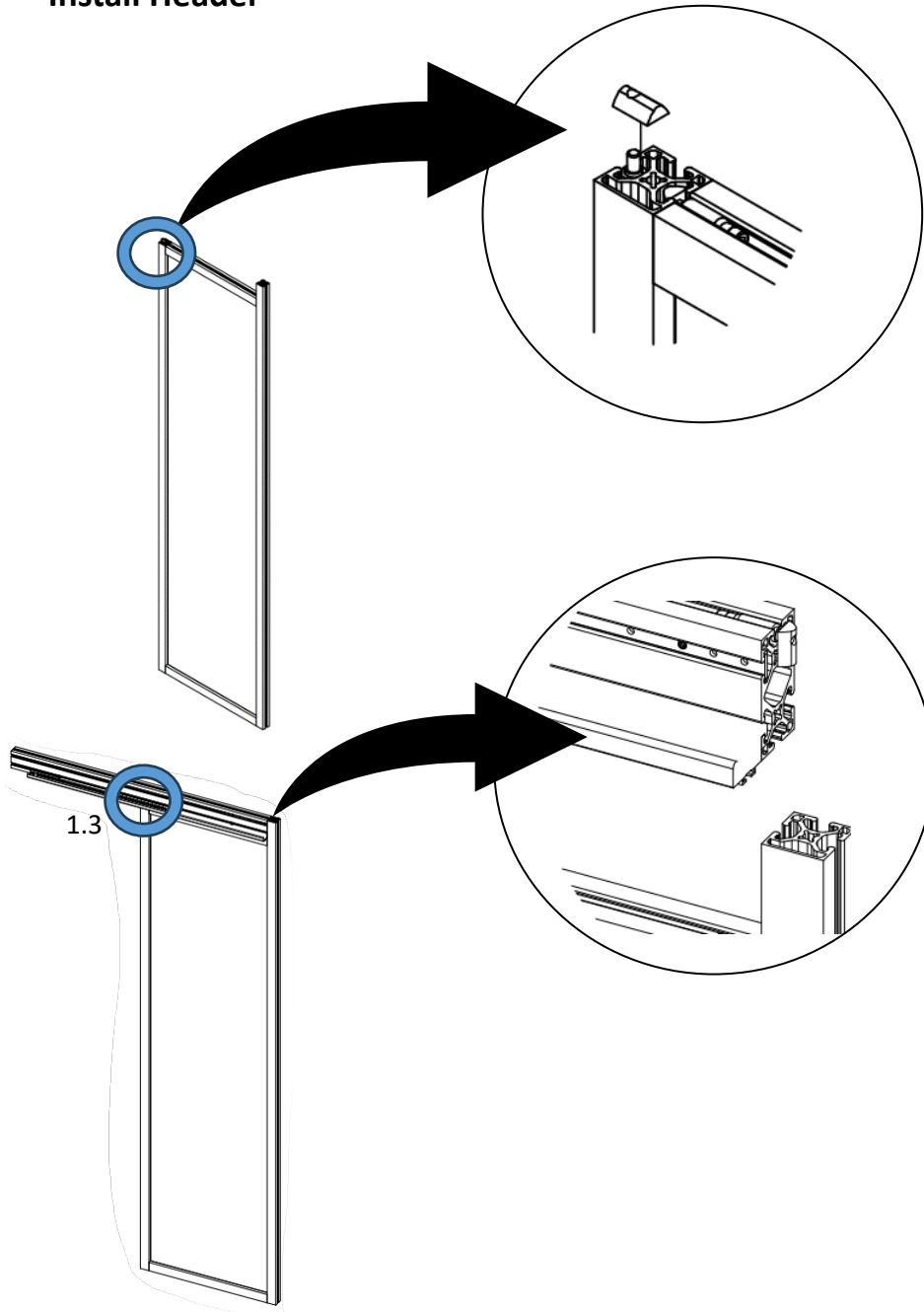
Valance
x 1



Header
x 1

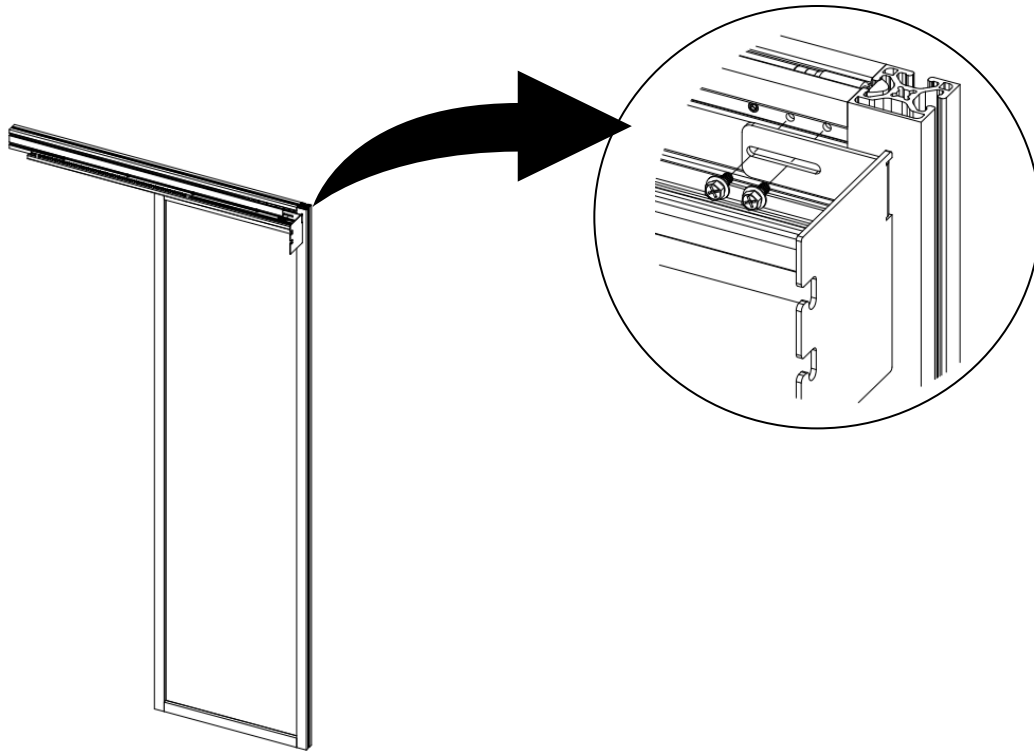
Assembly

1 – Install Header



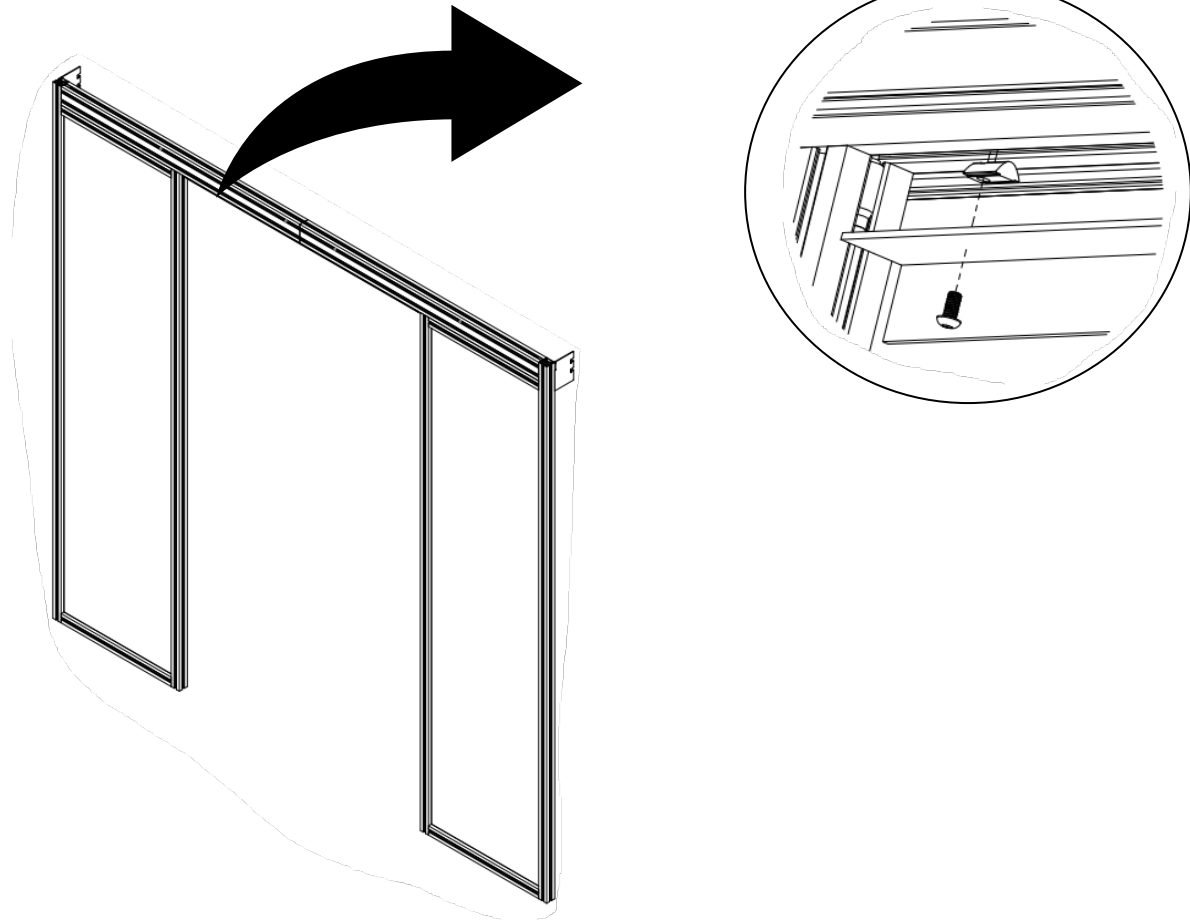
- 1.1 Remove T-nut from frame (Save T-nut for use in step 1.3).
- 1.2 Slide the T-nut on the header in the slot of the frame.
- 1.3 Slide T-nut removed in step 1.1 into the slot of the header to reach its original position.
- 1.4 Use the provided 5mm Allen wrench to tight the fasteners.
- 1.5 Repeat for the opposite side.

2 – Attach Valance Mounts



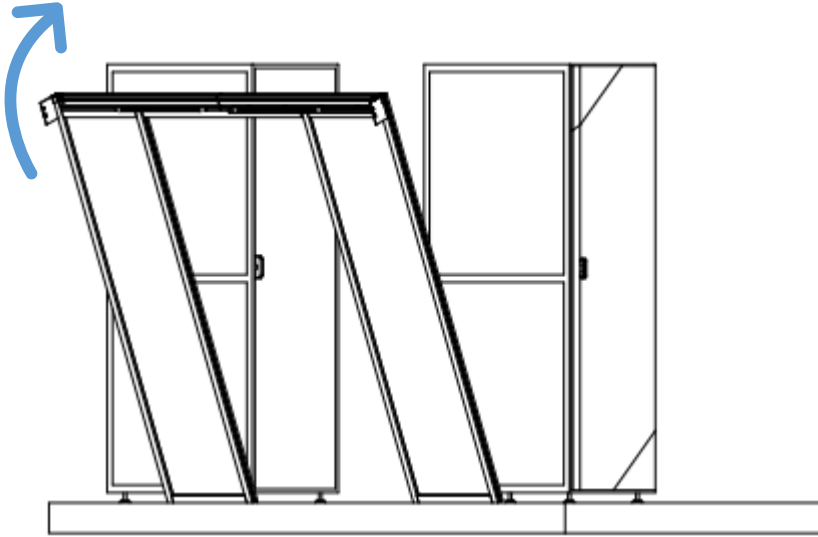
- 2.1 Attach Valance Mount RH and LH on each side of the frame.
- 2.2 Fasten Valance Mount using 2 of the provided M5-16 Phillips Hex Screw (1.2.000.20454).
- 2.3 Repeat for opposite side of the door frame.

3 – Attach Header Seal



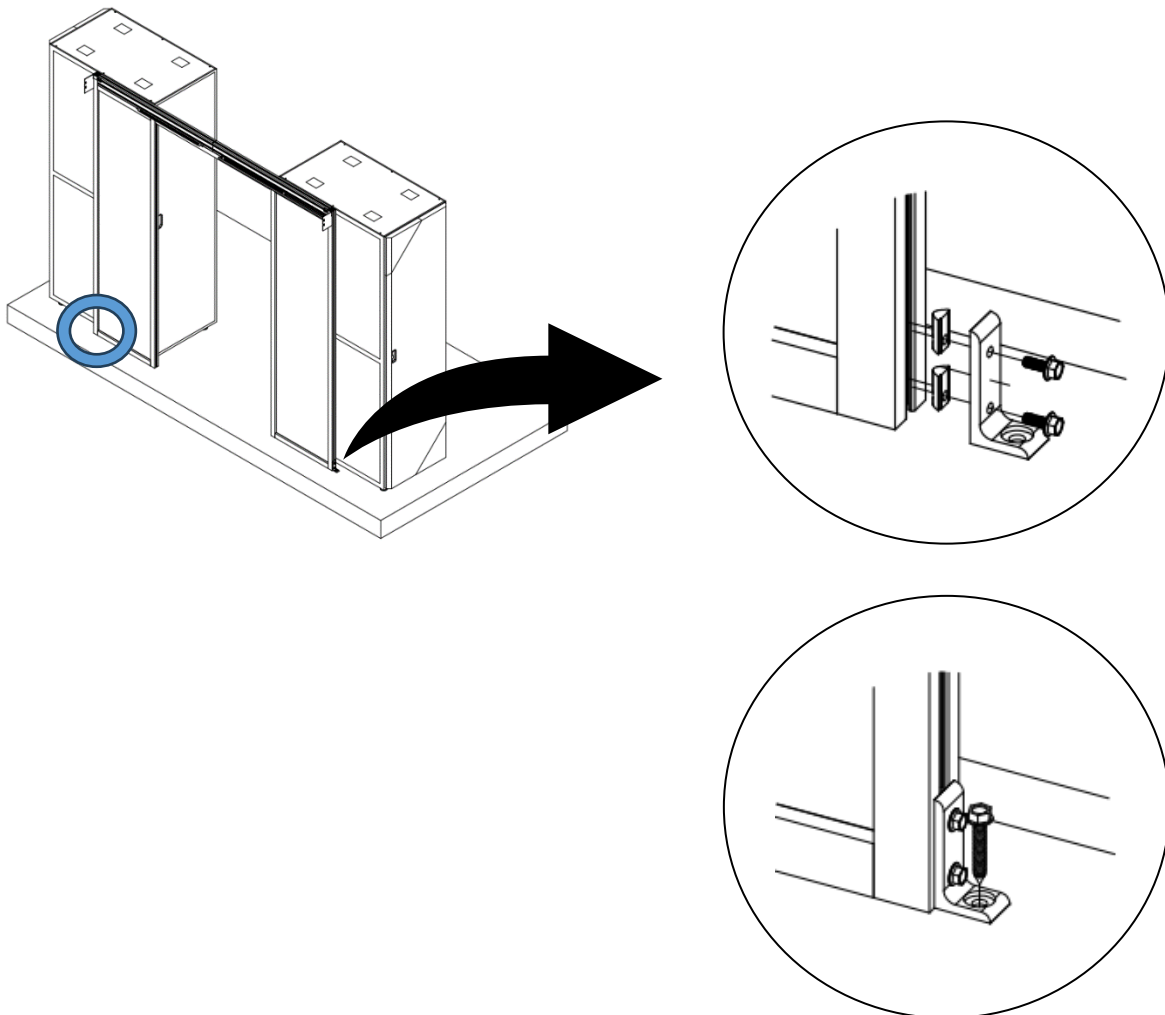
- 3.1 Join RH and LH frames by attaching the header seal on the opposite side of the header.
- 3.2 Use 4 of the provided 40s-M6 T-nuts (1.2.000.24232) and M6x12 button head screws (1.2.000.20142) to join both frames.

4 – Position Frame



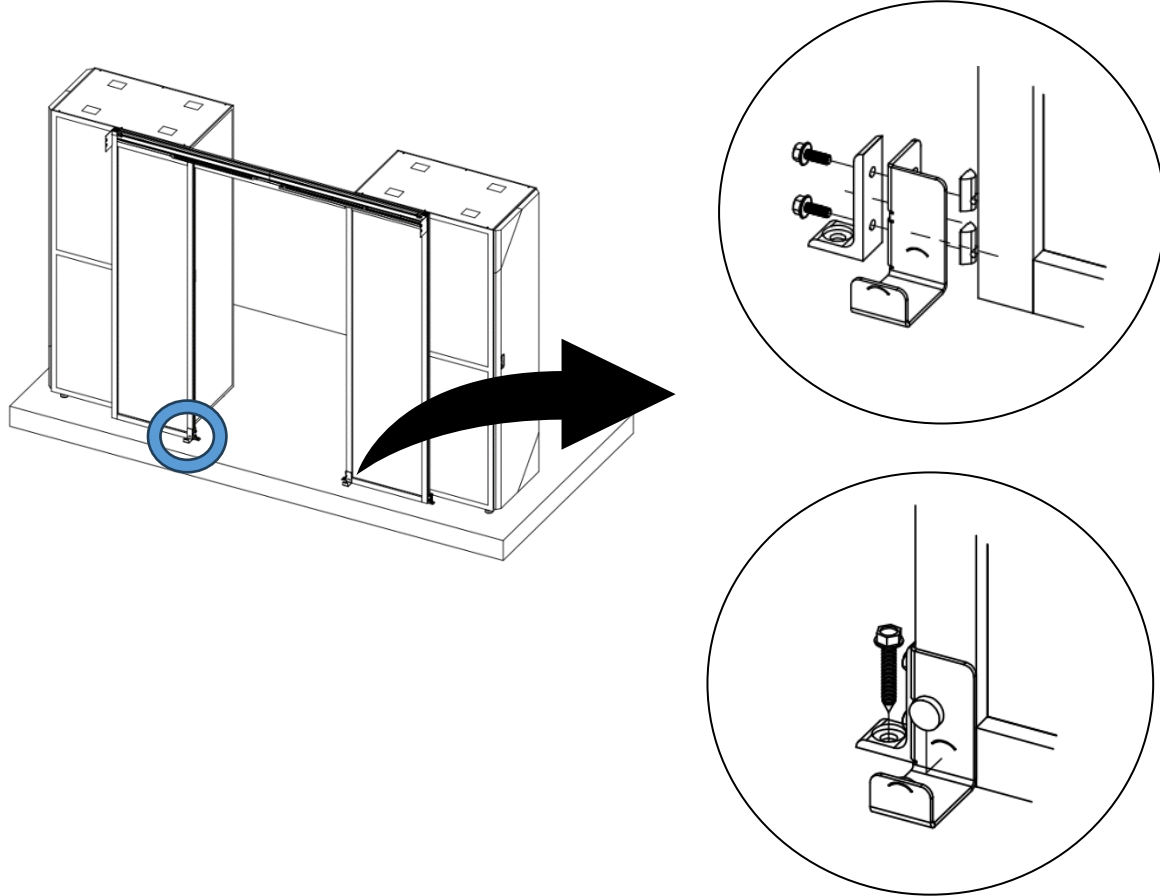
- 4.1 Two people are required to stand the frame into position.
- 4.2 Position the frame ensuring it is plumb, level, and square. Note racks may not be level, so a slight gap may be required behind the door frame

5 – Secure Frame



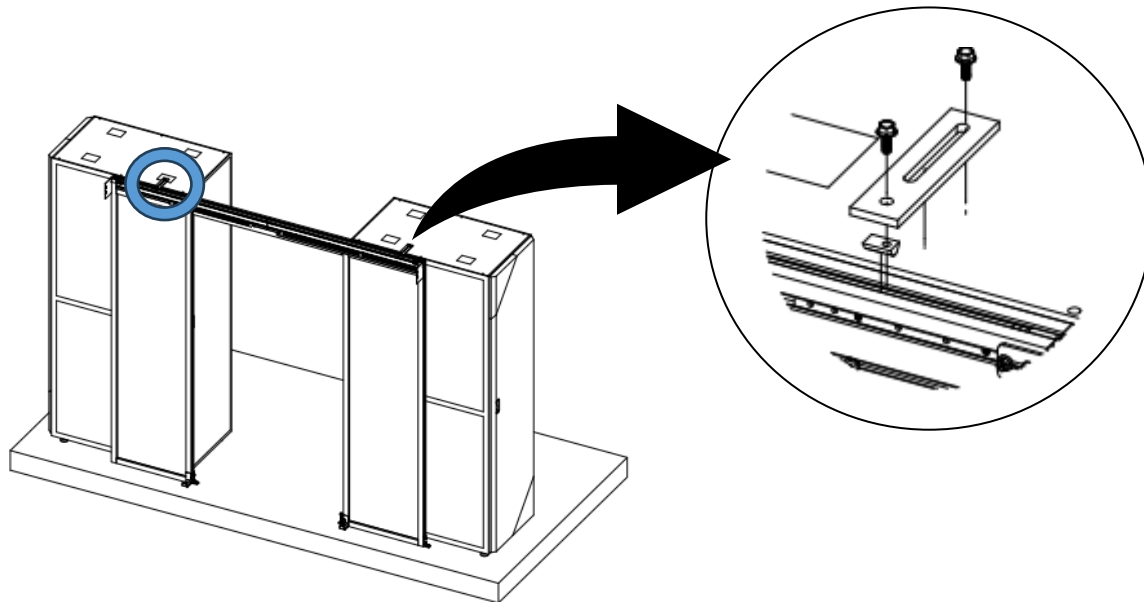
- 5.1 Once the door is up on the determined location, secure it to the floor.
- 5.2 Use a vacuum while drilling to ensure the particles do not enter server equipment.
- 5.3 Attach two of the 40s-M6 T-nut (1.2.000.24232), two M6x16 flanged head screw (1.2.000.20380) and one floor mount plate (1.2.051.15110).
- 5.4 Use a vacuum while drilling to ensure the particles do not enter server equipment.
- 5.5 Drill a pilot hole. Use a power drill and a ¼" concrete bit.
- 5.6 Secure the frame to the floor by fastening a 1/4x2x1/2" concrete fastener (1.2.000.21115).
- 5.7 Repeat for opposite side.

6 – Attach Sliding Guides



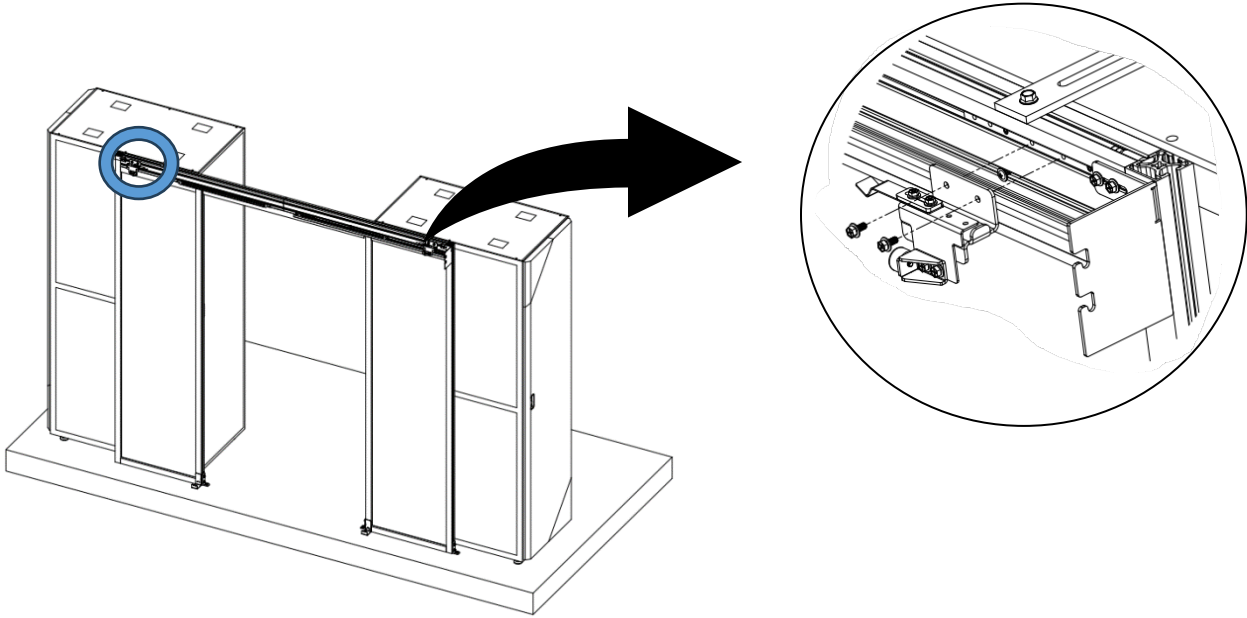
- 6.1 Attach a foot and floor guide to the inner side of the frame.
- 6.2 Attach two of the 40s-M6 T-nut (1.2.000.24232), one sliding door guide (1.2.062.31271), two M6x16 flanged head screw (1.2.000.20380) and one floor mount plate (1.2.051.15110).
- 6.3 Secure the frame to the floor by fastening a 1/4x2x1/2" concrete fastener (1.2.000.21115).
- 6.4 Attach two felt glide (1.1.000.90078) per door guide as shown.

7 – Secure to the Cabinets



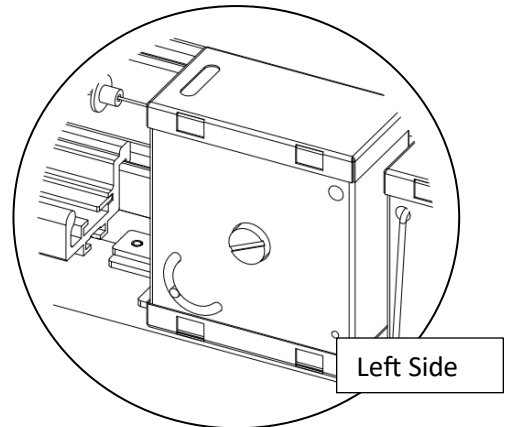
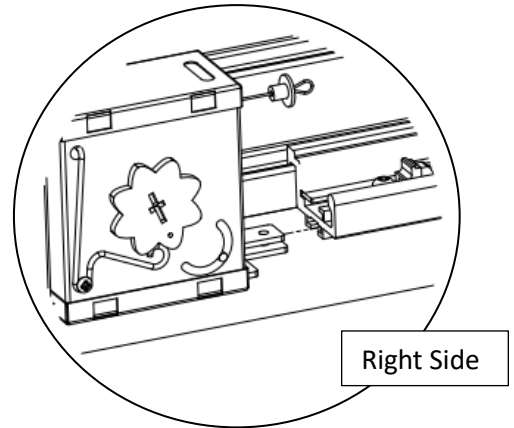
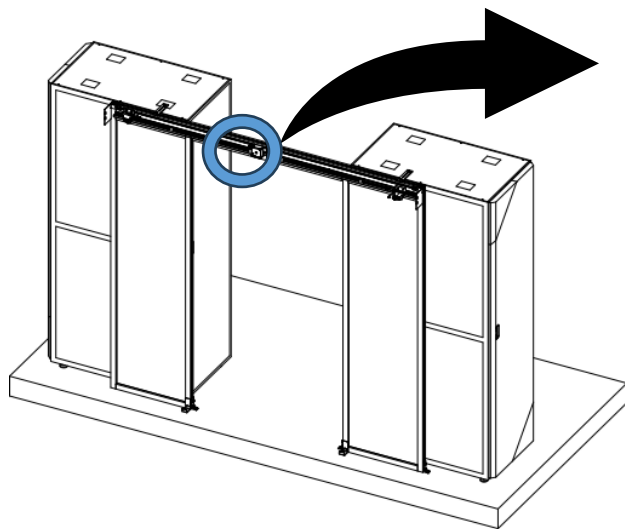
- 7.1 Attach the frame to the cabinets or above structure in at least two points.
- 7.2 Dry fit the 6in joining plate (1.2.151.11023) from the top of the door frame to the top of the rack.
- 7.3 After determining the optimal location for the joining plate, Use a M6x16 cap screw (1.2.000.20380) with a 40s-M6 T-nut to secure to the header.
- 7.4 Secure the joining plate to the top of the rack with the provided bolts (Do not drill new holes into the rack, use the existing holes).
- 7.5 Repeat process on opposite side and ensure door is level.

8 – Attach Hold-Open Latch

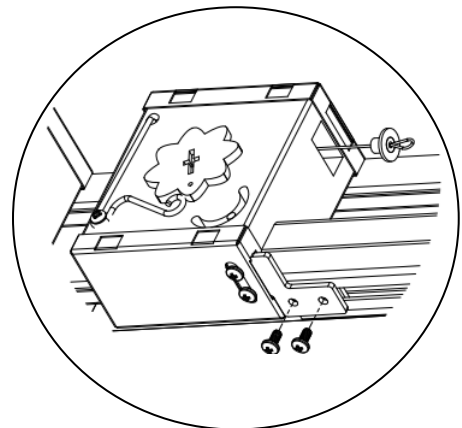


- 8.1 Attach the Hold Open Latch to the frame.
- 8.2 Use two M5x16 Phillips hex screw with washer (1.2.000.20454) to secure as shown.
- 8.3 Repeat for opposite side.

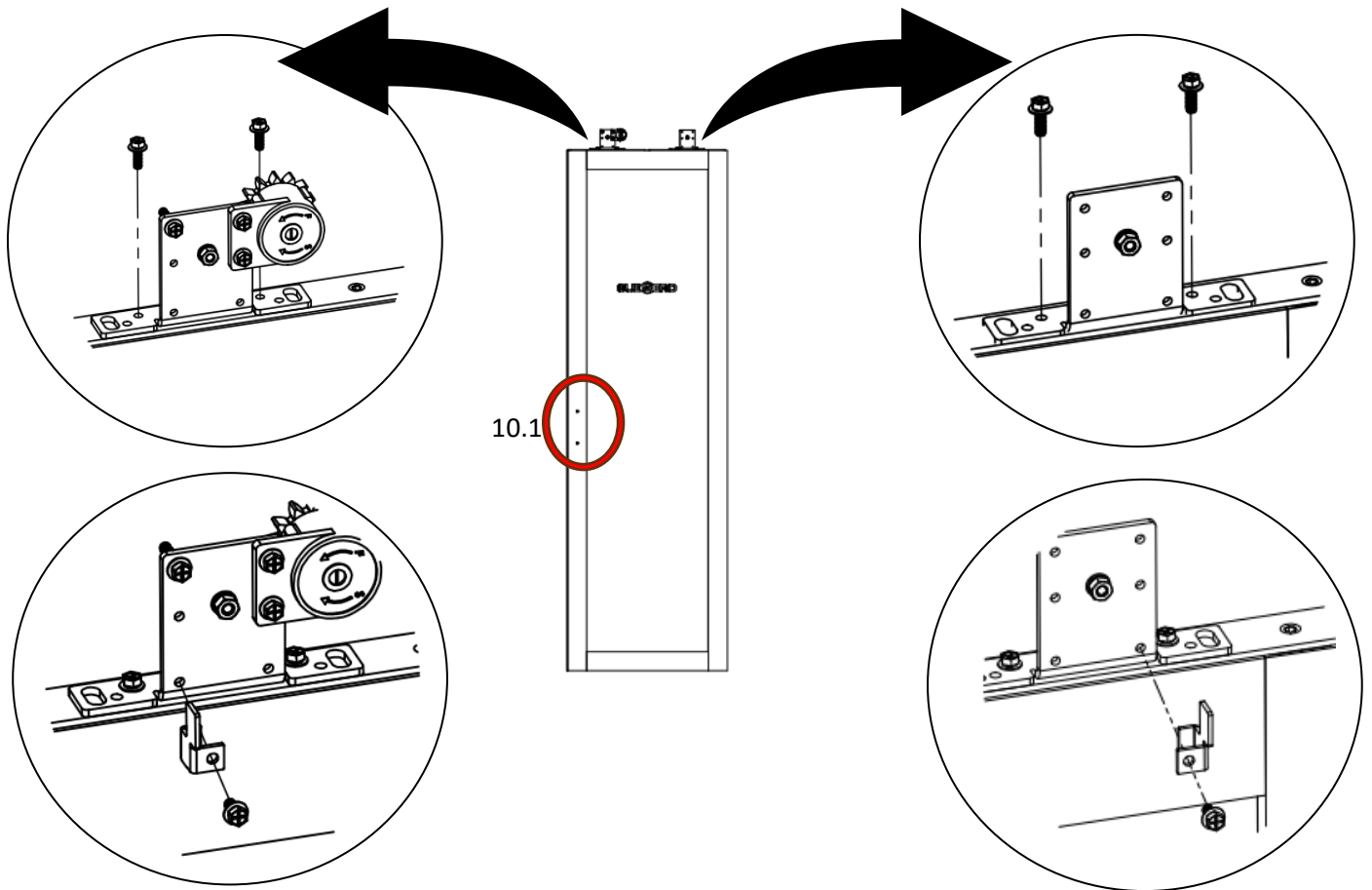
9 – Attach Pull-Spring



- 9.1 Attach Pull-Spring by sliding the steel nut into the slot,
- 9.2 Tight with a Phillips head screwdriver.
- 9.3 Note: Ensure to use the appropriate Pull-Spring for left or right side.

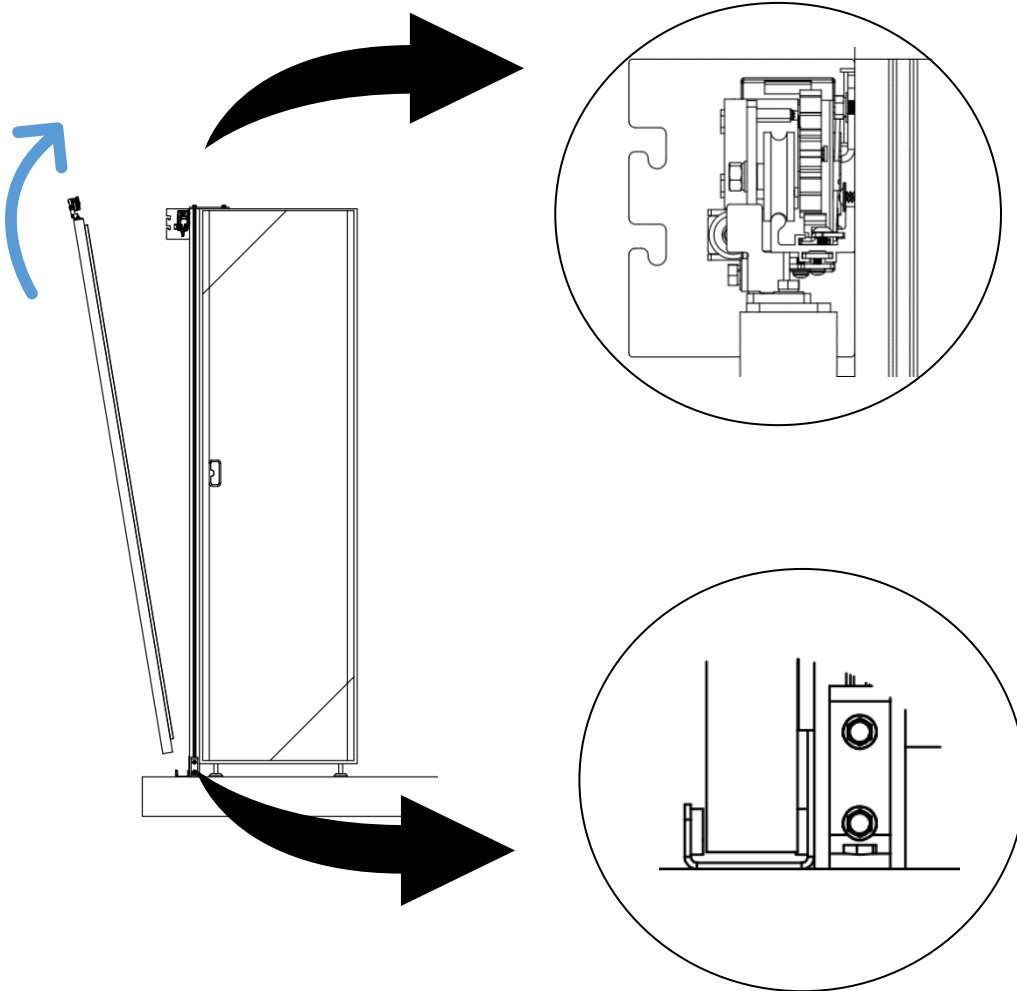


10 – Attach Auto Closer



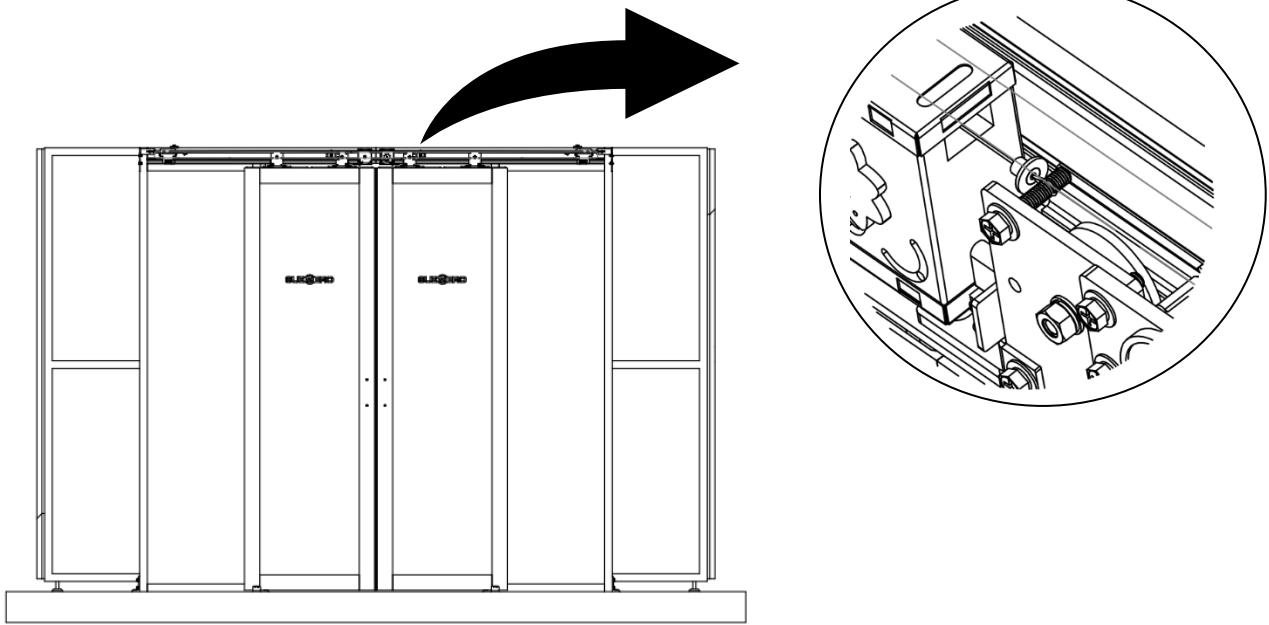
- 10.1 Attach Auto Closer to the side of the door that has the handle holes.
- 10.2 Use two M5x16 Phillips hex screw with washer (1.2.000.20454) to fasten the Auto Closer on top of the door.
- 10.3 Secure the door retaining fitting using the provided M5x8 pan head screw to each wheel bracket. Ensure to use the left or right hand specific.

11 – Hang Doors



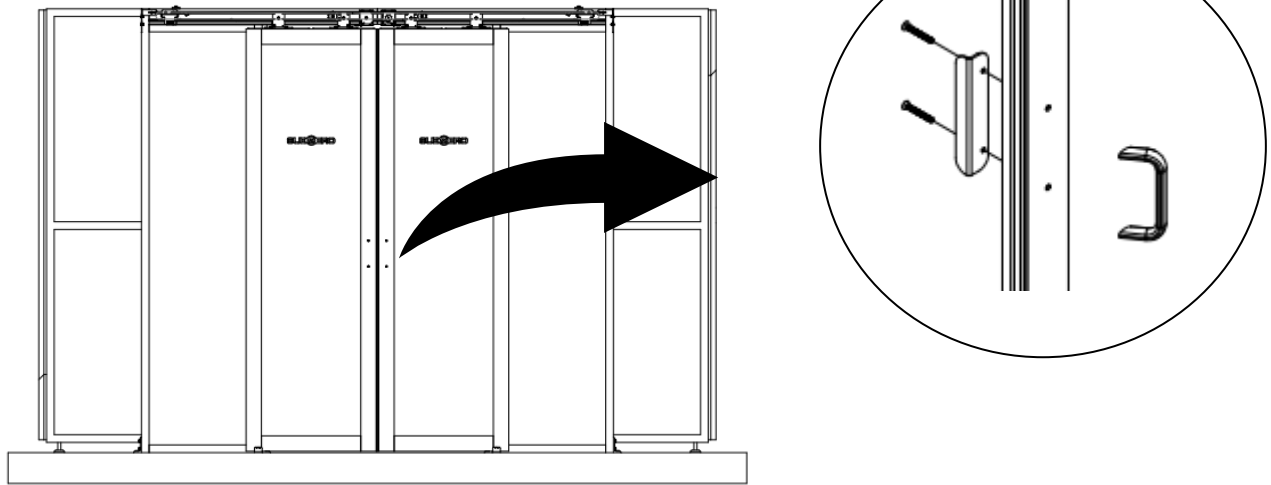
- 11.1 Place the bottom of the door into the door guide.
- 11.2 Hang the door on the rail.

12 – Attach Closer Cable



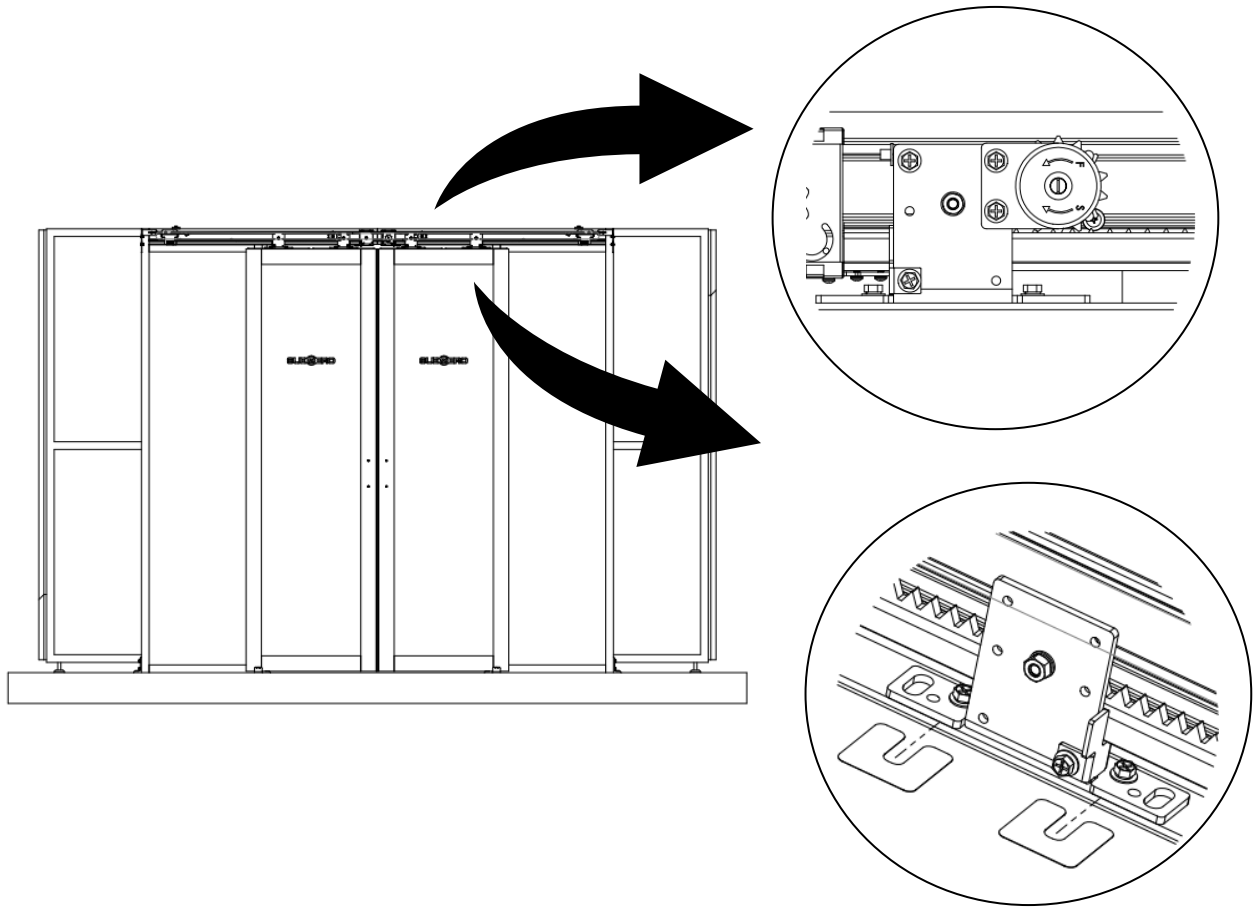
- 12.1 Pull out the chord on the Pull Spring.
- 12.2 Loop the chord over the screw on the Wheel Bracket.

13 – Attach Door Handles



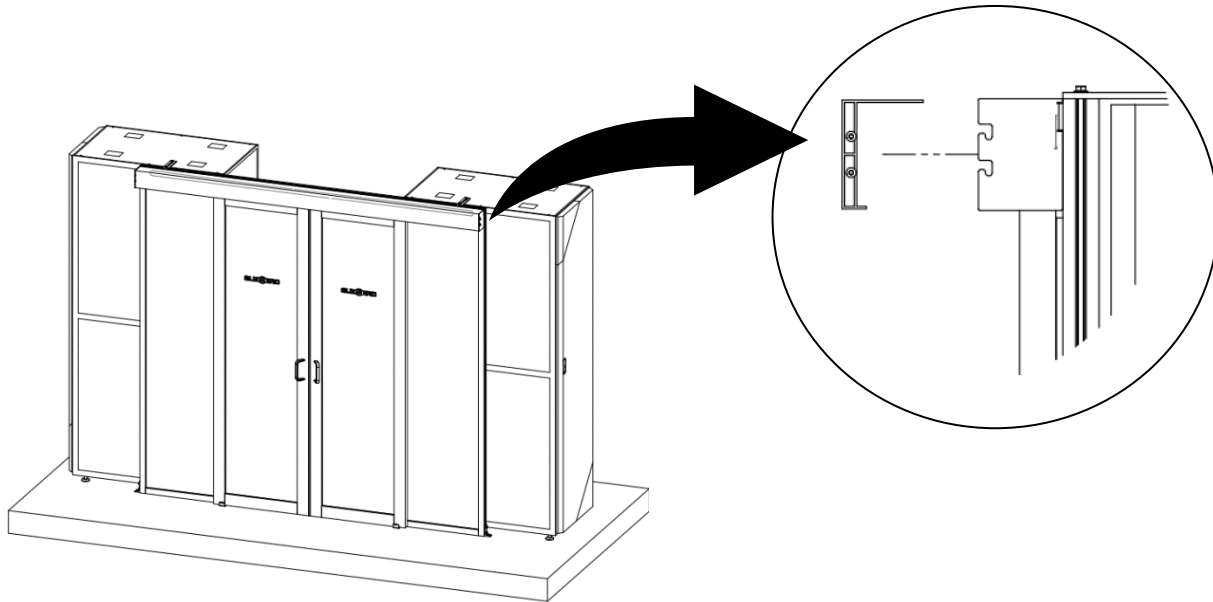
- 13.1 Attach the door handle (1.2.001.31135) and rear handle (1.2.052.31225) using two M6x30 flat head socket caps as shown.
- 13.2 Repeat for opposite side.

14 – Adjustment



- 14.1 Adjust the closing speed of the door with a flat head screwdriver.
- 14.2 Adjust the dampening of the door close with a flat head screwdriver.
- 14.3 Note: The door may not need shimming. Determine this by checking the “reveal” of the door. The reveal is the surface where the door panel meets the side post. If light is visible where the door meets the post, or there is a gap that is larger on either the bottom or the top, shimming may be required.
- 14.4 Loosen but do not remove the wheel bracket screws.
- 14.5 Slide U-Shim (1.2.000.23751) under each side of the wheel bracket to shim the door.
- 14.6 Multiple shims can be use, but an equal amount of shims are required on each side of the wheel.

15 – Set the Header



- 15.1 Slide the Valance screws into the Header mounts.
- 15.2 Tighten the 4 screws with the provided 4mm Allen wrench.

Operation

- Do not hang on the panel.
- Panel may tip over and cause an injury if not secured properly.

Cleaning

- Use a soft cloth, mild detergent, and water.
- Do not use any abrasive pads or materials.
- Do not use harsh solvents or thinners.