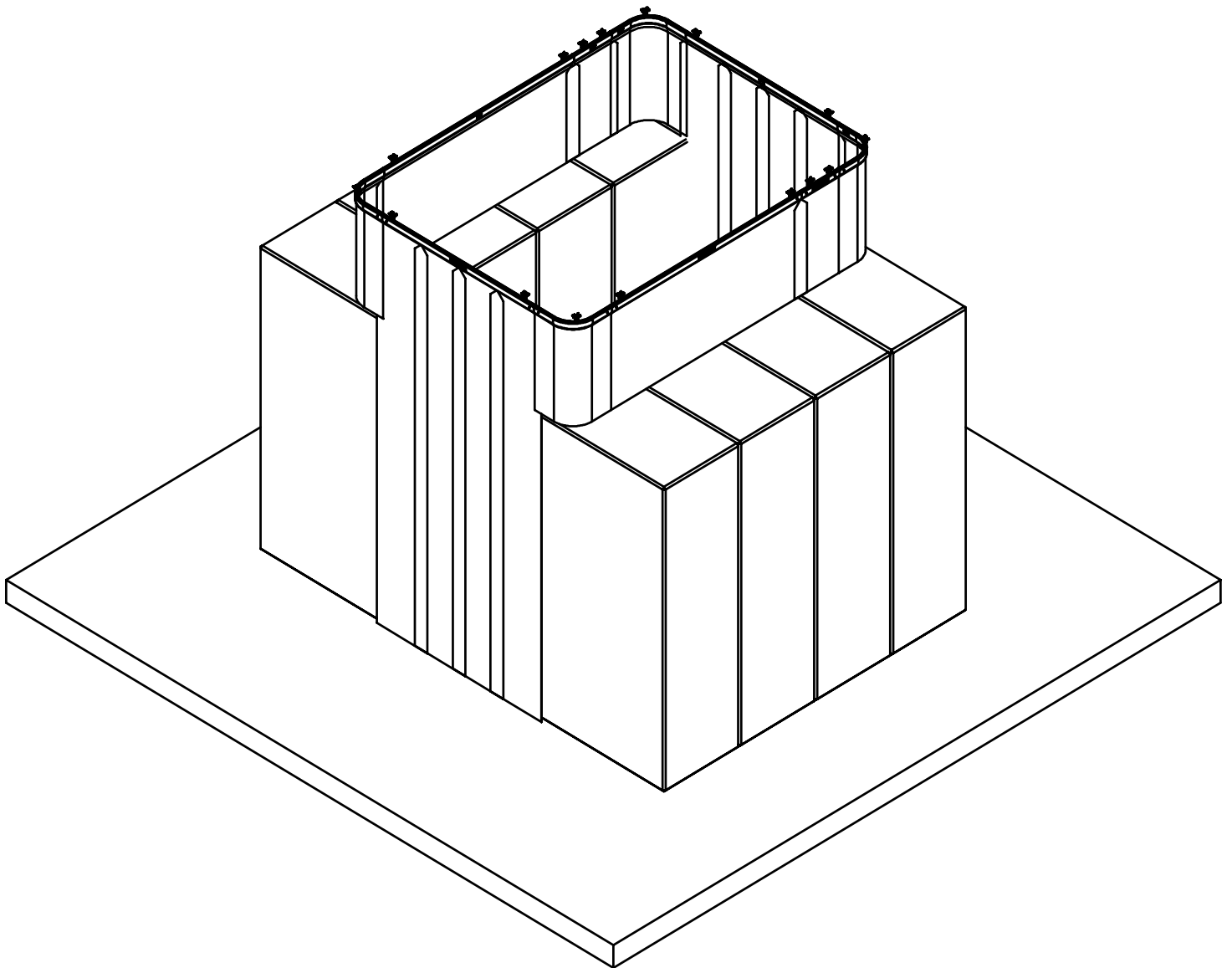




CURTAIN CONTAINMENT
Rack Hat/Strip Door

Install/User Guide



Design and specifications are subject to change without notice.

Proprietary Notice: The information contained in this user guide is the sole property of Subzero Engineering. Any reproduction in part, or as a whole without the written permission of Subzero Engineering is prohibited.

V 1-0_06/26/2017 © 2017 Subzero Engineering. All rights reserved.



World Headquarters

228 West 12300 South
Denali Bldg, Suite 108
Draper, UT 84020

p 801.810.3500
f 866.810.3509
e info@subzeroeng.com
w www.subzeroeng.com

Table of Contents

Safety Information	3
Warranty	3
Pre-Assembly	4
Planning Assembly	4
Tools Required	4
Rack Hat Package Contents	4
Corner Kit Package Contents	5
Strip Door Package Contents	6
Assembly	7
Cleaning	12

Safety Information

- While unpacking use caution with sharp objects such as razors to avoid damaging the product.
- A minimum of two people should be available to install this product.
- While drilling or using power tools safety glasses and gloves should be worn to avoid injury.

1 Year Limited Warranty

Subzero Engineering warrants to the original purchaser that it will, as its sole option, repair or replace this product or any part of this product, if it confirms that the product is defective in materials or workmanship under normal use and maintenance for one year after the purchase date of the product.

This limited 1 (one) year warranty DOES NOT COVER the following:

1. Defects or damage arising from shipping, installation, alterations, accidents, abuse, misuse, lack of proper maintenance and use of other than genuine Subzero replacement parts, in all cases whether caused by a contractor, service company, the owner or any other person.
2. Deterioration through normal wear and tear.
3. Damages resulting from abuse or misuse from failure to install or maintain this product in accordance with the written instructions furnished by Subzero Engineering.
4. Use of Cleaning Products Containing Calcium Hypo Chlorite (Chlorine), Scouring Powders or pads shall not be covered.
5. Expense of normal maintenance.
6. All costs of removal, transportation, labor, reinstallation or other costs including postage and/or shipping costs to obtain warranty service shall be paid by the customer.
7. Any liability for consequential or incidental damages, all of which are hereby expressly disclaimed, and implied warranties, including those of merchantability or fitness for purpose intended are specifically excluded. (Some jurisdictions do not allow limitations on how long an implied warranty lasts, or the exclusion or limitation of incidental or consequential damages, so these limitations and exclusions may not apply to you.)
8. Responsibility for compliance with local code requirements are excluded from this warranty. (Since local code requirements vary greatly, distributors, dealers, installation contractors, and users should determine whether there are any code restrictions on the installation or use of a specific product.)

This limited warranty gives you specific legal rights. You may have other statutory rights that vary from state to state or from province to province, in which case this limited warranty does not affect such statutory rights.

Limited Warranty Contact Information

For service under these limited warranties, it is suggested that a claim be made through the contractor or dealer from or through whom the product was purchased, or that a service request (including a description of the product model and of the defect) be sent to the following address:

United States:

Subzero Engineering
228 W 12300 S
Suite 108
Draper, UT 84020
Attention: Director of Consumer Affairs

For residents of the United States, warranty information may also be obtained by calling: (801) 810-3500

Pre-Assembly

Planning Assembly

Unpack all items and compare them to the Package Contents lists. Lay all parts on a flat non-abrasive surface such as cardboard. If any item appears damaged or is missing, do not assemble and contact Subzero Engineering.

NOTE It is recommended that at least two people assemble this product.

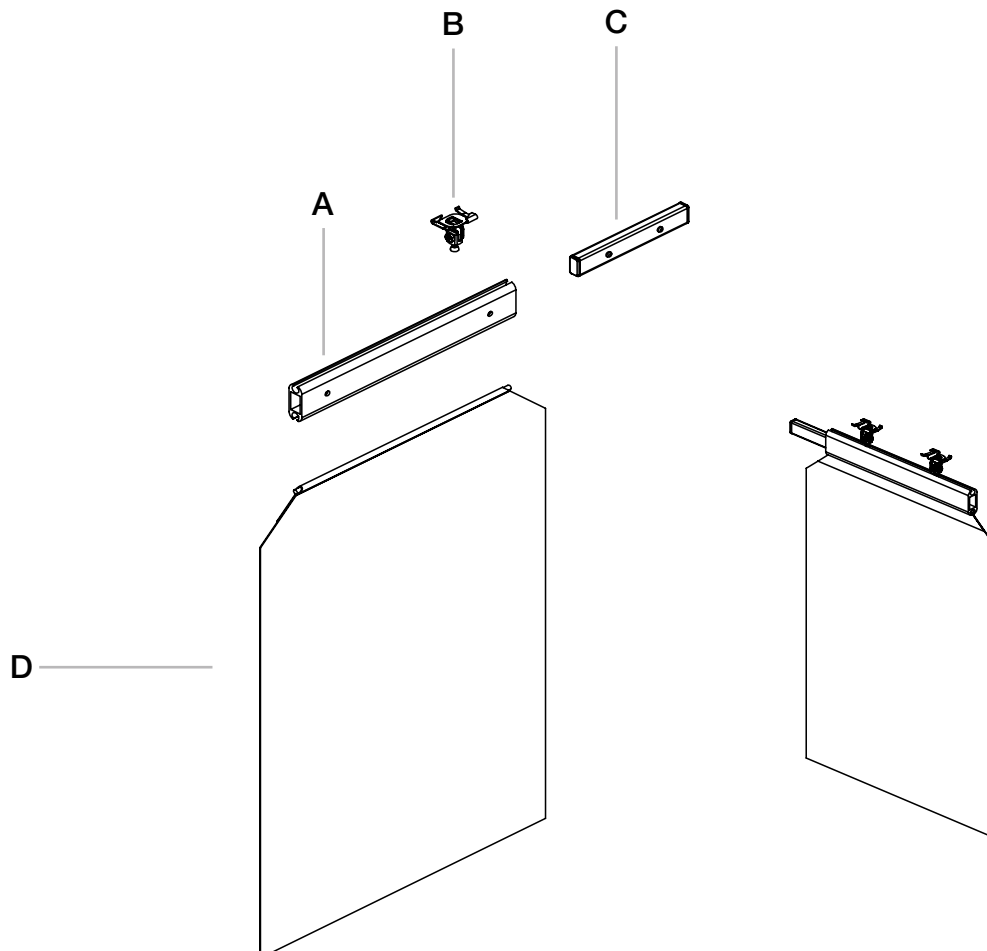
Rack Hat Package Contents

ITEM	DESCRIPTION	QTY.
A	Aluminum Track	—
B	Fire Suppression Link	—
C	Splicer	—
D	Drop Down Panel	—

NOTE Quantities vary based on amount of Rack Hat ordered.

Tools Needed

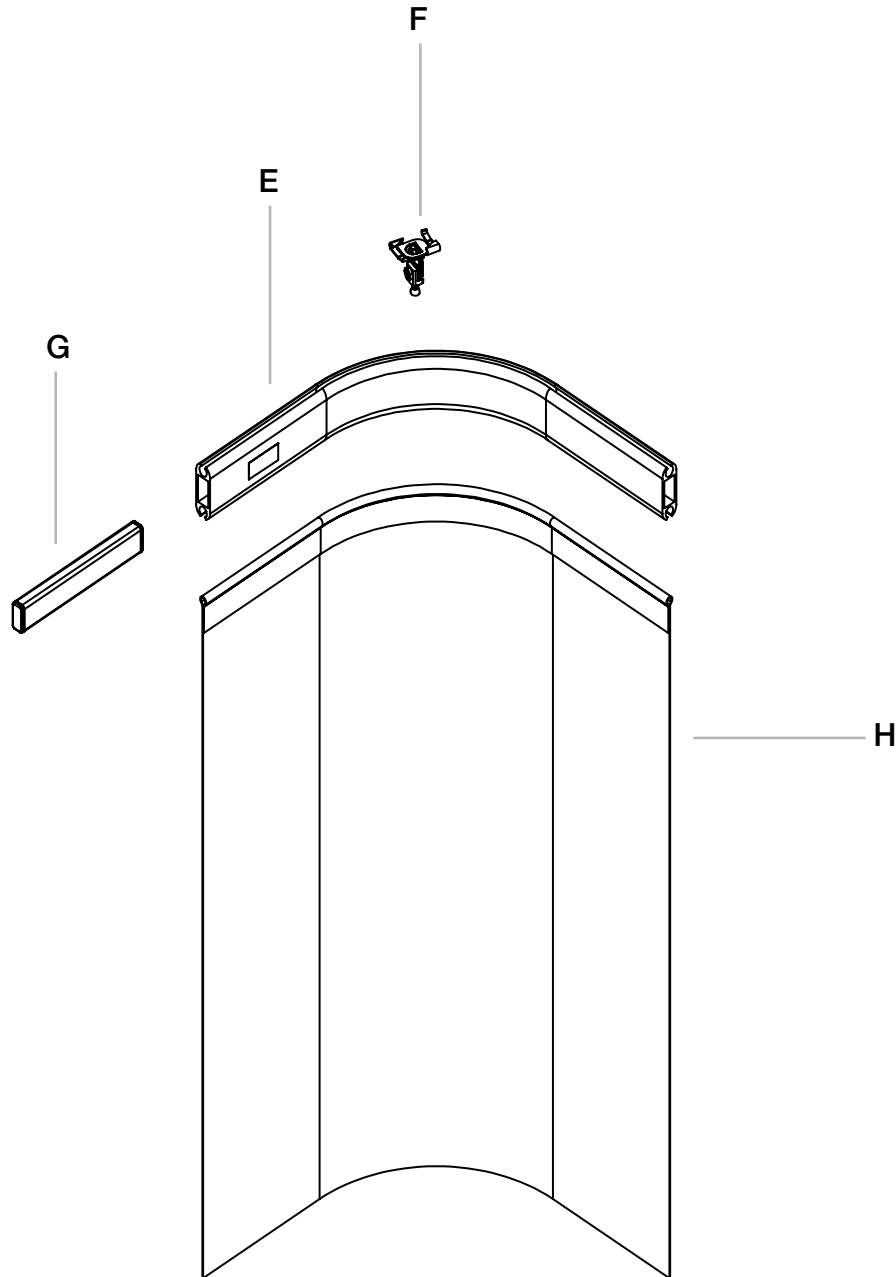
TOOLS REQUIRED
Tape Measure
Plumb Bob
Marker
Pliers
Knife



Corner Kit Package Contents

ITEM	DESCRIPTION	QTY.
E	Aluminum Corner Track	—
F	Fire Suppression Link	—
G	Splicer	—
H	Drop Down Vinyl	—

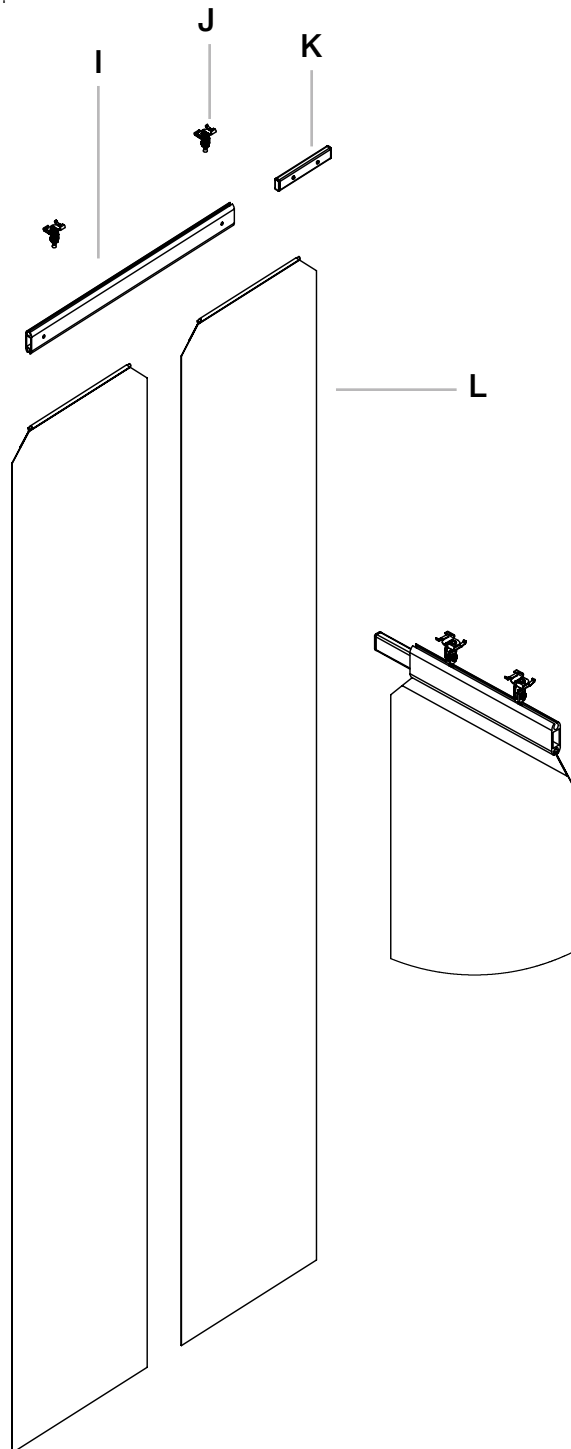
NOTE Quantities vary based on amount of Corner Kits ordered.



Strip Door Package Contents

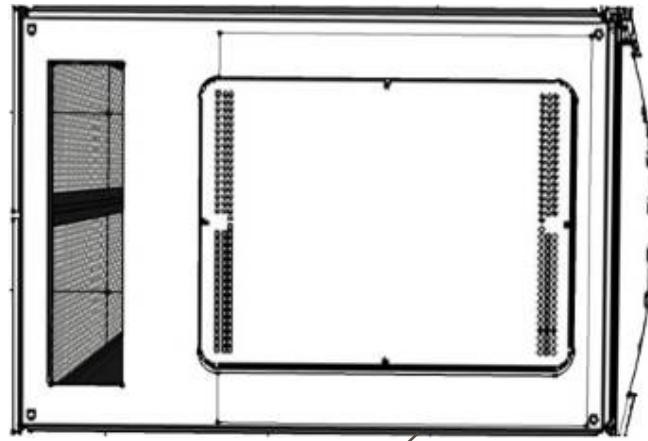
ITEM	DESCRIPTION	QTY.
I	Aluminum Track	—
J	Fire Suppression Link	—
K	Splicer	—
L	Drop Down Vinyl	—

NOTE Quantities vary based on amount of Strip Doors ordered.



Assembly

1 – Rack Hat Placement



This view shows the top of the rack

- The first step is to determine where the partition is to be assembled on the ceiling.
- Since the Rack Hat can be assembled for either hot or cold aisle containment, you will need to determine which aisle is to be partitioned. This will help determine what area of the rack should be separated.

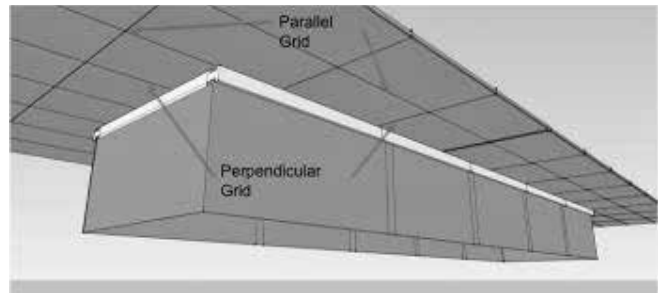
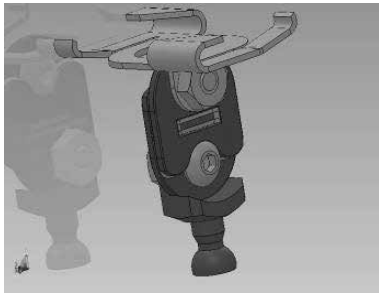
For instance:

- A cold aisle partition should be placed as close to the front edge of the rack as possible since this is the supply side of the IT equipment.
- A hot aisle partition can be placed at any area along the top of the rack as long as exhaust (hot) air cannot discharge into the cold aisle.

NOTE

Openings in the top of the rack may affect the placement of the Rack Hat. Make sure you place it between the supply and hot exhaust.

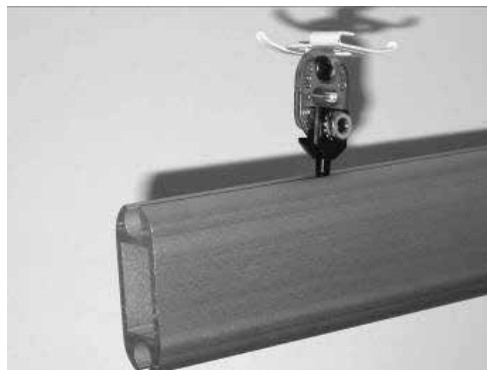
2 – Assemble Ceiling Attachment



- Determine where the Rack Hat will be assembled on the ceiling grid. You can use either a plumb bob or laser.
- Draw a line, or use a laser line to establish where on the drop ceiling grid you will assemble the Rack Hat.
- Next, twist the white clip onto the drop-ceiling grid.
- The 360-degree ball and the UL/FM rated link are already attached to the ceiling clip.
- The 360-degree ball will slide into the aluminum track. This 360-degree ball allows attachment to be on either the parallel, or perpendicular part of the grid. Assemble the ceiling attachment over the area you want the partition to hang.

NOTE Sometimes the white ceiling clip is easier to assemble with a set of pliers.

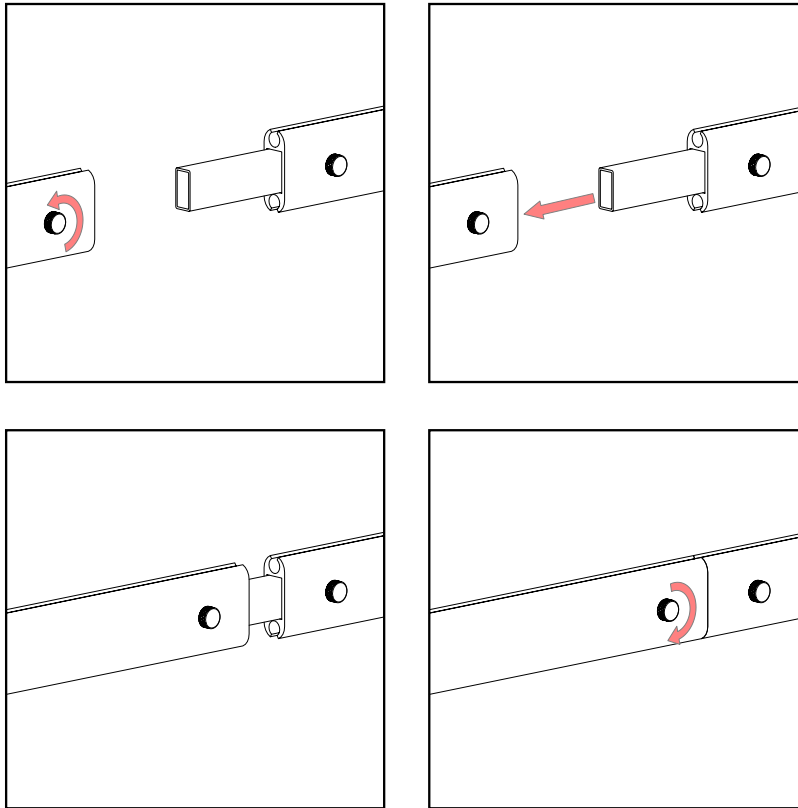
3 – Assemble Aluminum Track



- Slide the aluminum track onto the 360-degree ball.

4 – Assemble Splicer

NOTE Ensure that you loosen the receiving rail's thumb screw prior to inserting the splicer.



- Each kit can be connected to another kit to create one continuous partition with the splicer.
- Assemble the splicer by sliding the splicer in the end of the aluminum track in the direction you want to continue the track. Then connect the two tracks with the splicer. Ensure the rails are secure by tightening the thumb screws.

5 – Assemble Vinyl

NOTE

Make sure you use the same vinyl that was kitted with the aluminum track.

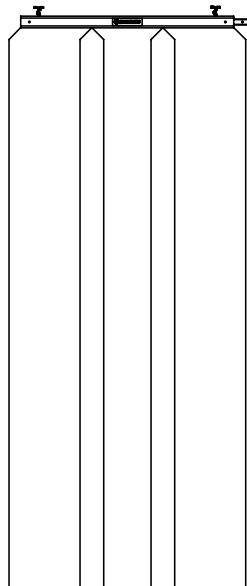


- Slide the vinyl onto the bottom of the aluminum track.

6 – Vinyl Overlap

NOTE

Some fire marshals prefer that the aluminum tracks not be connected.



- Ensure that the vinyl is overlapped from one sheet to the other. Make sure that there are no gaps.
- The vinyl has a tendency to stick to each other. This will help the overlap to seal.
- Since the drop-down length is usually longer than the actual distance from the ceiling to the top of the rack, there will be an excess of vinyl on the top of the rack. For most assemblies, we suggest that this excess vinyl be rolled up and held together with a clip. This extra weight will help the vinyl to hang better.

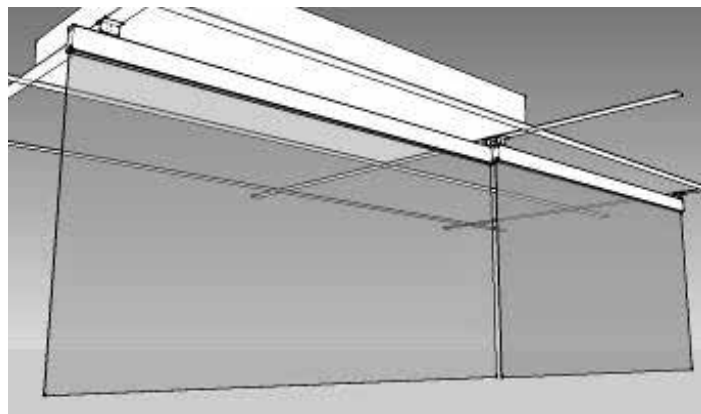
7 – Cutting Vinyl



- At times you may want to cut the vinyl to fit around an obstruction. It's best to mark the vinyl and cut along a straight edge.

8 – Working Around Lights

- NOTE** Be sure to not assemble the splicer so that you can disconnect the section over the light when light maintenance is required.



- It is preferable not to assemble the Rack Hat under a light. It's best to assemble on the grid parallel to the light. When this cannot be done you can assemble the Rack Hat on the perpendicular grid at the ends of the light.

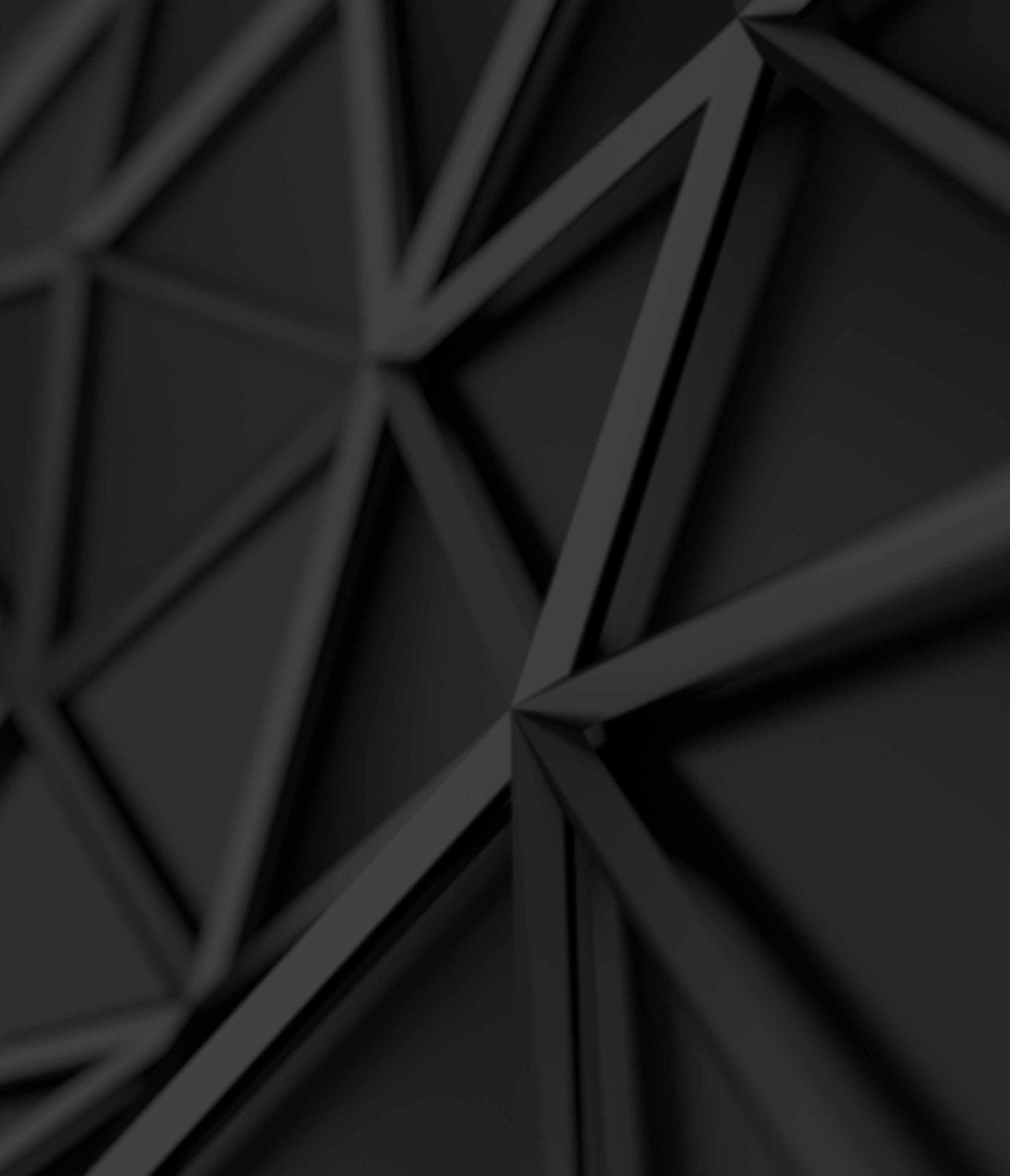
9 – Working Around Obstructions



- The vinyl can easily be modified to work around obstructions. Cut an opening in the vinyl the same shape as the obstruction. The vinyl under the obstruction can be joined together using two-sided tape or Velcro.

Cleaning

- If surface residue exists, such as plasticizer migration (a natural occurrence with plasticized PVC), use soap (Dawn) and water.
- If no surface residue exists, use a standard off-the-shelf product, such as Simple Green or Windex. **DO NOT USE PRODUCTS THAT CONTAIN ALCOHOL OR AMMONIA.**



Design and specifications are subject to change without notice.

Proprietary Notice: The information contained in this user guide is the sole property of Subzero Engineering. Any reproduction in part, or as a whole without the written permission of Subzero Engineering is prohibited.

V 1-0_06/26/2017 © 2017 Subzero Engineering. All rights reserved.



World Headquarters

228 West 12300 South
Denali Bldg. Suite 108
Draper, UT 84020

p	801.810.3500
f	866.810.3509
e	info@subzeroeng.com
w	www.subzeroeng.com