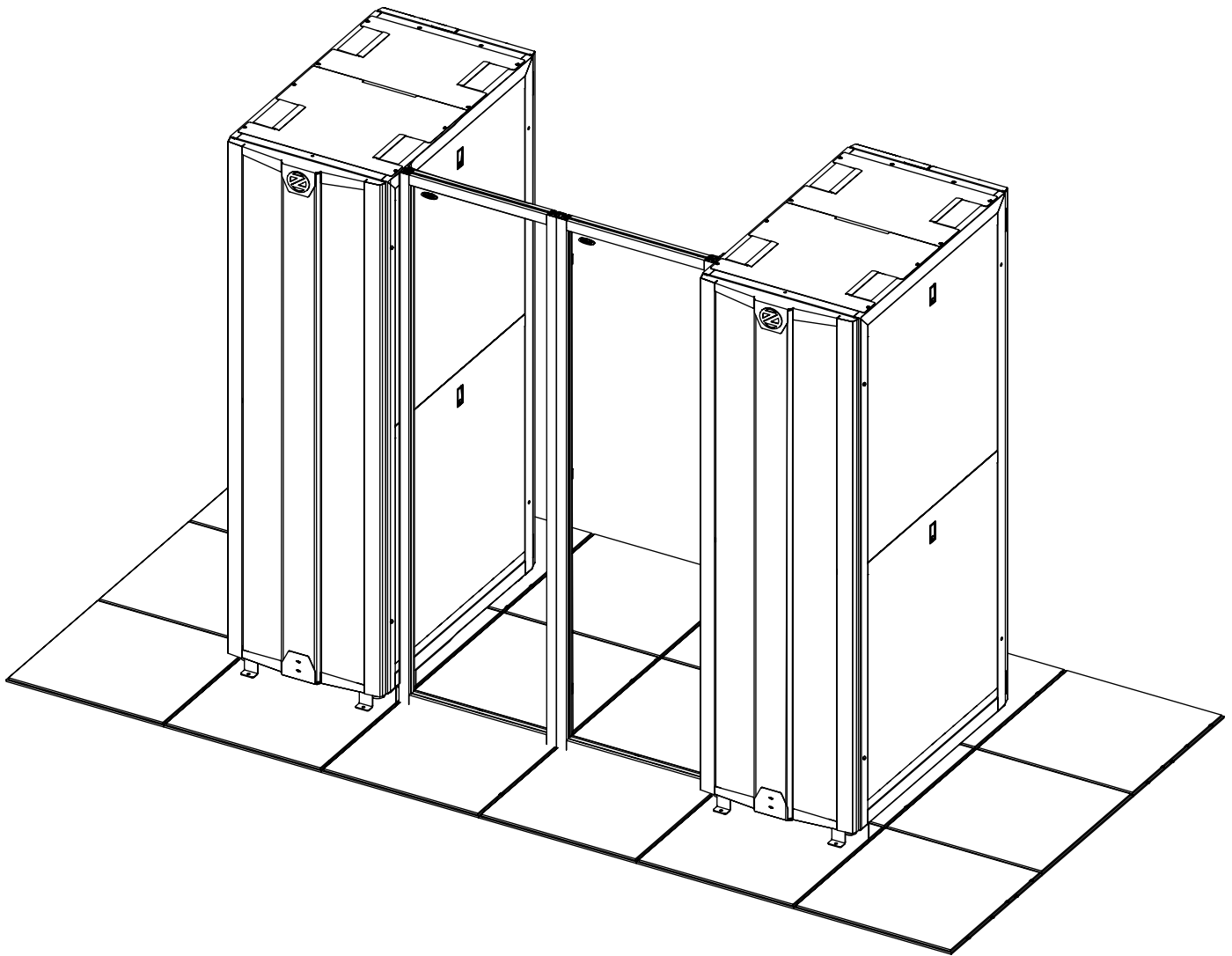




Containment Panels

Install/User Guide



Design and specifications are subject to change without notice.

Proprietary Notice: The information contained in this user guide is the sole property of Subzero Engineering. Any reproduction in part, or as a whole without the written permission of Subzero Engineering is prohibited.

V 1-0_07/10/2017 © 2017 Subzero Engineering. All rights reserved.



World Headquarters

228 West 12300 South
Denali Bldg, Suite 108
Draper, UT 84020

p 801.810.3500
f 866.810.3509
e info@subzeroeng.com
w www.subzeroeng.com

Table of Contents

Safety Information	3
Warranty	3
Pre-Assembly	4
Planning Assembly	4
Floor Panel – Tools Required / Hardware Included	4
Over Rack / Roof Panel – Tools Required / Hardware Included	5
Panel Frame – Contents Included	6
Assembly	7
Operation	10
Cleaning	10

Safety Information

- While unpacking use caution with sharp objects such as razors to avoid damaging the product.
- A minimum of two people should be available to install this product.
- While drilling or using power tools safety glasses and gloves should be worn to avoid injury.

1 Year Limited Warranty

Subzero Engineering warrants to the original purchaser that it will, as its sole option, repair or replace this product or any part of this product, if it confirms that the product is defective in materials or workmanship under normal use and maintenance for one year after the purchase date of the product.

This limited 1 (one) year warranty DOES NOT COVER the following:

1. Defects or damage arising from shipping, installation, alterations, accidents, abuse, misuse, lack of proper maintenance and use of other than genuine Subzero replacement parts, in all cases whether caused by a contractor, service company, the owner or any other person.
2. Deterioration through normal wear and tear.
3. Damages resulting from abuse or misuse from failure to install or maintain this product in accordance with the written instructions furnished by Subzero Engineering.
4. Use of Cleaning Products Containing Calcium Hypo Chlorite (Chlorine), Scouring Powders or pads shall not be covered.
5. Expense of normal maintenance.
6. All costs of removal, transportation, labor, reinstallation or other costs including postage and/or shipping costs to obtain warranty service shall be paid by the customer.
7. Any liability for consequential or incidental damages, all of which are hereby expressly disclaimed, and implied warranties, including those of merchantability or fitness for purpose intended are specifically excluded. (Some jurisdictions do not allow limitations on how long an implied warranty lasts, or the exclusion or limitation of incidental or consequential damages, so these limitations and exclusions may not apply to you.)
8. Responsibility for compliance with local code requirements are excluded from this warranty. (Since local code requirements vary greatly, distributors, dealers, installation contractors, and users should determine whether there are any code restrictions on the installation or use of a specific product.)

This limited warranty gives you specific legal rights. You may have other statutory rights that vary from state to state or from province to province, in which case this limited warranty does not affect such statutory rights.

Limited Warranty Contact Information

For service under these limited warranties, it is suggested that a claim be made through the contractor or dealer from or through whom the product was purchased, or that a service request (including a description of the product model and of the defect) be sent to the following address:

United States:

Subzero Engineering
228 W 12300 S
Suite 108
Draper, UT 84020
Attention: Director of Consumer Affairs

For residents of the United States, warranty information may also be obtained by calling: (801) 810-3500

Pre-Assembly

Panel Notes

Subzero panels may be used in a variety of locations. With this in mind, the panels may be ordered with different installation kits. Please see below for details regarding the hardware provided.

Planning Assembly

Unpack all items and compare them to the Hardware Included and Package Contents lists. Lay all parts on a flat non-abrasive surface such as cardboard. If any item appears damaged or is missing, do not assemble and contact Subzero Engineering.

Floor Panel

Tools Needed

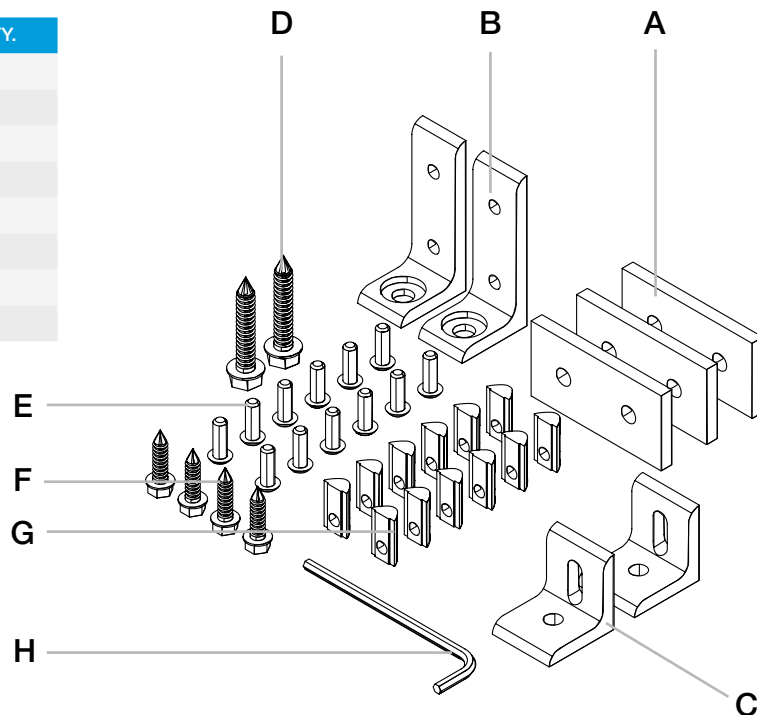
TOOLS PROVIDED	ADDITIONAL TOOLS REQUIRED
4mm Hex Key	Powered Drill
	1/2" Deep Socket
	3/8" Socket
	Tape Measure
	Level
	Pencil

NOTE It is recommended that at least two people assemble this product.

NOTE Hardware is not shown to scale.
Threads on hardware may be shown as removed.

Hardware Included

ITEM	DESCRIPTION	QTY.
A	2 Hole Joining Plate	3
B	Floor Mounting Foot	2
C	2 Hole Slotted Corner Bracket	2
D	1/2" Head x 2" Self Tapping Screw	2
E	BHSCS M6 x 16mm	12
F	3/8" Head x 1" Self Tapping Screw	4
G	M6 Drop-In T-Nut	12
H	4mm Hex Key	1



Over Rack / Roof Panel

Tools Needed

TOOLS PROVIDED

4mm Hex Key

ADDITIONAL TOOLS REQUIRED

Powered Drill

3/8" Socket

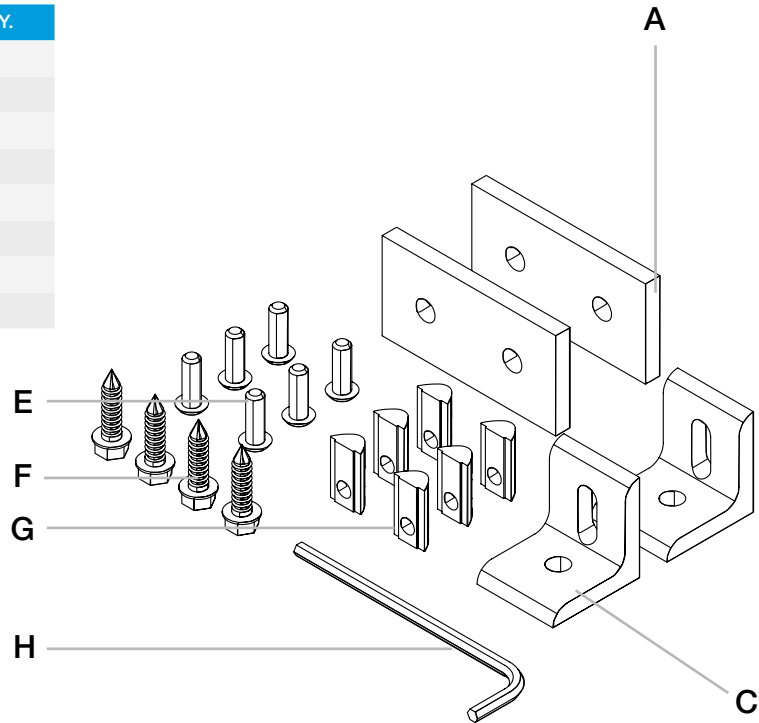
NOTE

Hardware is not shown to scale.

Threads on hardware may be shown as removed.

Hardware Included

ITEM	DESCRIPTION	QTY.
A	2 Hole Joining Plate	2
B	—	—
C	2 Hole Slotted Corner Bracket	2
D	—	—
E	BHSCS M6 x 16mm	6
F	3/8" Head x 1" Self Tapping Screw	4
G	M6 Drop-In T-Nut	6
H	4mm Hex Key	1



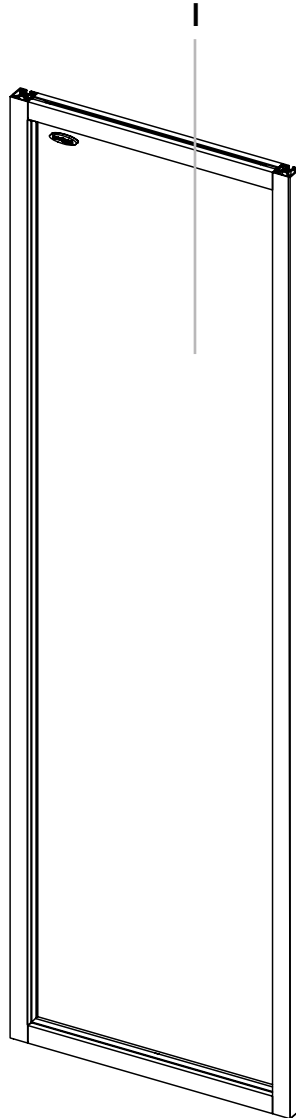
Panel Frame

Panel Frame Contents

ITEM	DESCRIPTION	QTY.
1	Panel Frame	1



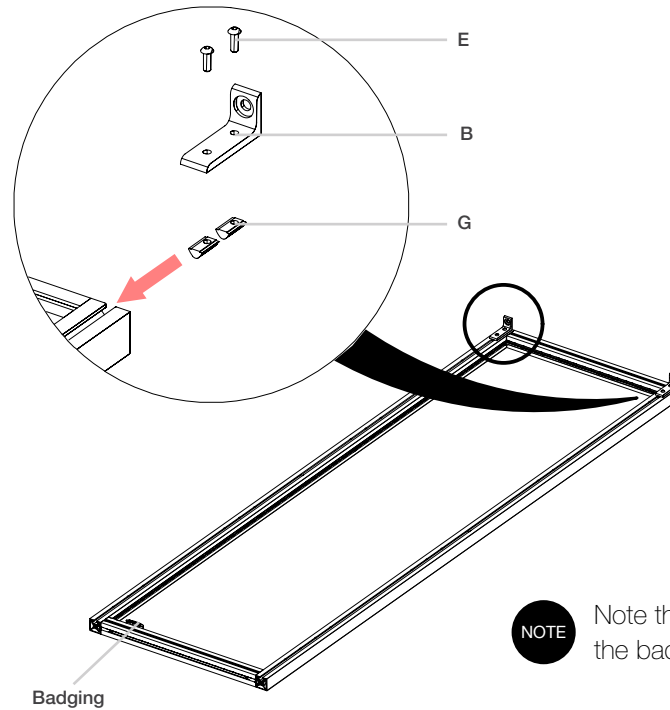
Actual size of the frame panel may vary from what is shown.



Assembly

1 – Attach the Mounting Feet

NOTE This manual shows how to install Floor Panels.

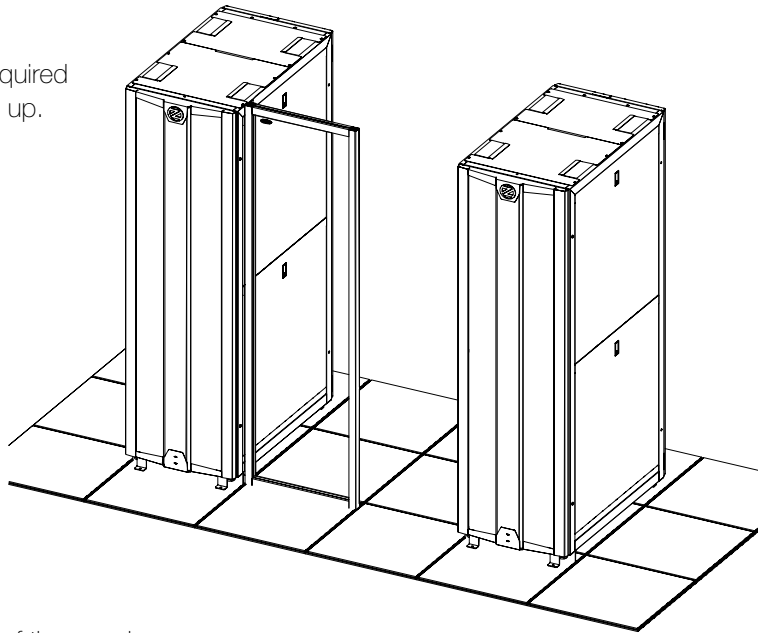


NOTE Note that the top of the panel will have the badging placed on the panel insert.

- Lay the frame panel on the floor with the slots of the extrusion facing up.
- Attach the feet (Item B) to the bottom of the panel frame and post using the hardware shown.
- Tighten the BHSCS M6 x 16mm screws (Item E) using the 4mm hex key (Item H).

2 – Stand the Panel Up

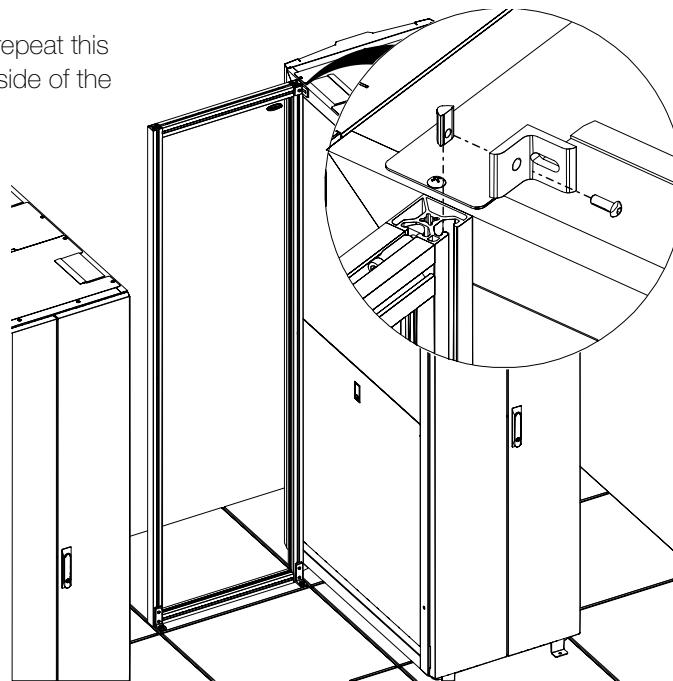
NOTE Two people are required to stand the panel up.



- Stand the panel up.
- Choose the location of the panel.
- The location of the panel will vary based upon the overall design of the containment solution.

3 – Attach the 90 Bracket(s)

NOTE It may be required to repeat this step on the opposite side of the panel frame.

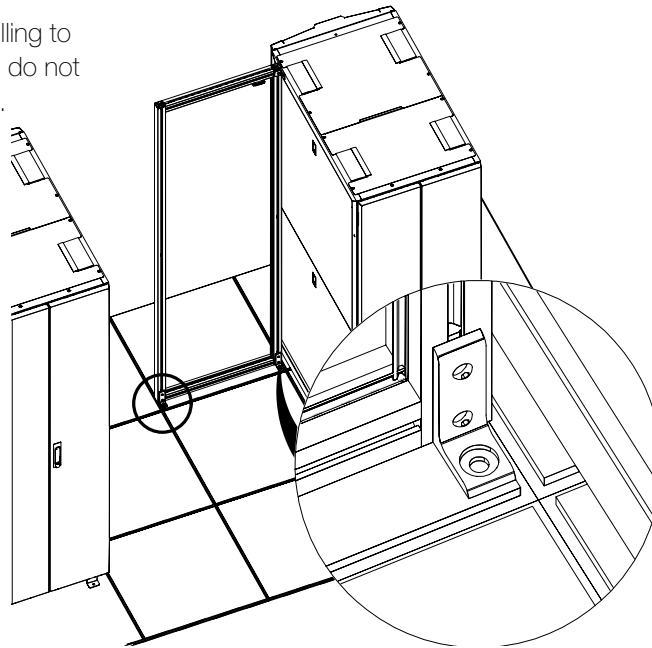


- Attach the corner bracket to the frame using the hardware shown.
- Tighten the BHSCS M6 x 16mm screws (Item E) using the 4mm hex key (Item H).

4 – Drill Pilot Holes

NOTE

Use a vacuum while drilling to ensure that particulates do not enter server equipment.

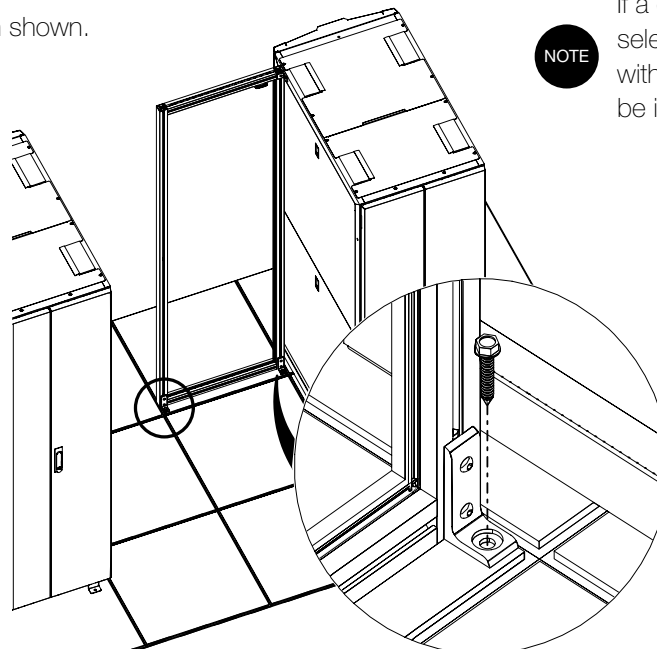


- Drill pilot holes for mounting the panel frame in the locations shown.
- Use a powered drill and a 1/4" bit.

5 – Fasten to the Floor

NOTE

Raised floor installation shown.



NOTE

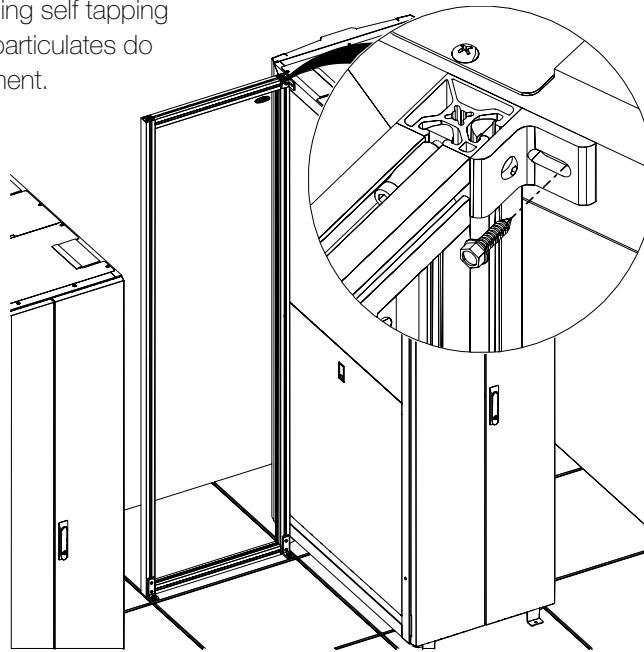
If a concrete installation kit was selected, Item D will be replaced with concrete screws and should be installed in the same fashion.

- Using a drill, 1/2" deep socket, and 1/2" x 2" self tapping screws (Item D), fasten the frame down in the (2) locations where pilot holes were drilled.

6 – Secure the Top of Panel

NOTE

Use a vacuum while using self tapping screws to ensure that particulates do not enter server equipment.



NOTE

There are many ways to secure to the server cabinet. Make sure you select a method appropriate for your environment.

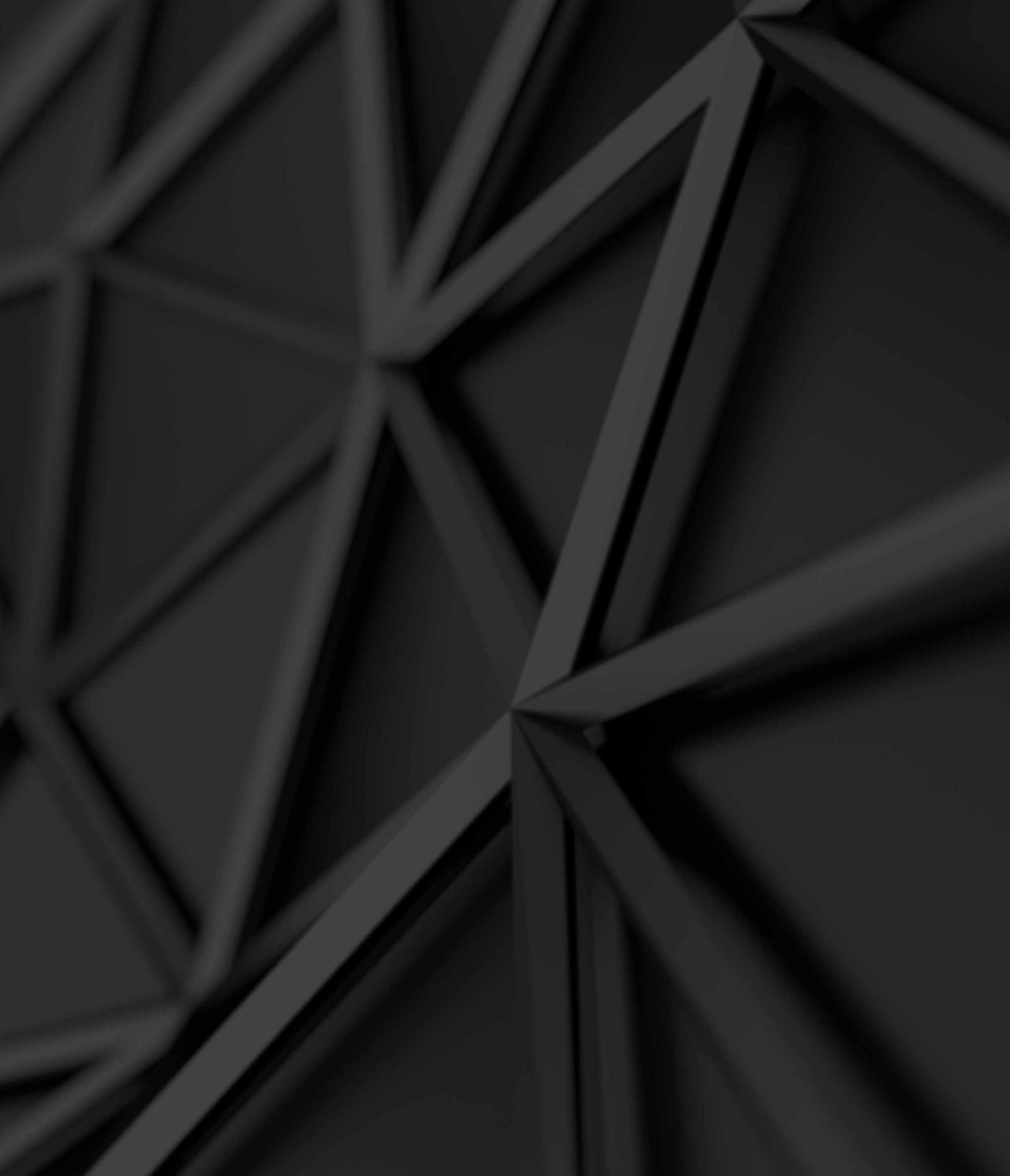
- Fasten the corner bracket to the cabinet as shown.
- If no existing holes can be utilized, use 3/8" x 1" self tapping screws (Item F), a drill, and a 3/8" socket to self tap into the server cabinet top frame.
- Repeat the above steps on the left and right sides of the panel frame as required.

Operation

- Do not hang on the panel.
- Panel may tip over and cause an injury if not secured properly.

Cleaning the Panel Insert

- Use a soft cloth, mild detergent, and water.
- Do not use any abrasive pads or materials.
- Do not use harsh solvents or thinners.



Design and specifications are subject to change without notice.

Proprietary Notice: The information contained in this user guide is the sole property of Subzero Engineering. Any reproduction in part, or as a whole without the written permission of Subzero Engineering is prohibited.

V 1-0_07/10/2017 © 2017 Subzero Engineering. All rights reserved.



World Headquarters

228 West 12300 South
Denali Bldg. Suite 108
Draper, UT 84020

p		801.810.3500
f		866.810.3509
e		info@subzeroeng.com
w		www.subzeroeng.com