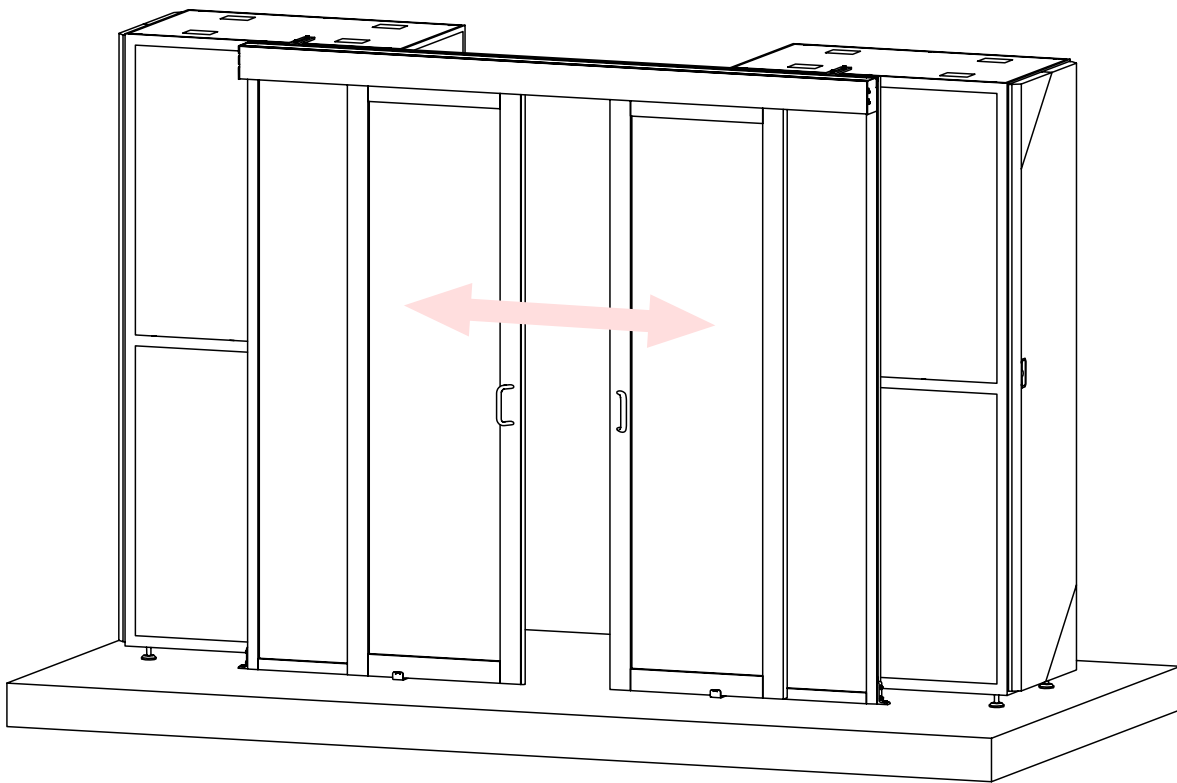




ELITE SERIES  
**Bi-Parting Feature**

Install/User Guide



Design and specifications are subject to change without notice.

Proprietary Notice: The information contained in this user guide is the sole property of Subzero Engineering. Any reproduction in part, or as a whole without the written permission of Subzero Engineering is prohibited.

V 1-0\_06/14/2017 © 2017 Subzero Engineering. All rights reserved.



**World Headquarters**

228 West 12300 South  
Denali Bldg. Suite 108  
Draper, UT 84020

**p** 801.810.3500  
**f** 866.810.3509  
**e** [info@subzeroeng.com](mailto:info@subzeroeng.com)  
**w** [www.subzeroeng.com](http://www.subzeroeng.com)

## Table of Contents

Safety Information .....	3
Warranty .....	3
Pre-Assembly .....	4
Planning Assembly .....	4
Tools Required .....	4
Components Included .....	4
Assembly .....	5
Operation .....	10
Cleaning .....	10

## Safety Information

- **While unpacking use caution with sharp objects such as razors to avoid damaging the product.**
- **A minimum of two people should be available to install this product.**
- **While drilling or using power tools safety glasses and gloves should be worn to avoid injury.**

## 1 Year Limited Warranty

Subzero Engineering warrants to the original purchaser that it will, as its sole option, repair or replace this product or any part of this product, if it confirms that the product is defective in materials or workmanship under normal use and maintenance for one year after the purchase date of the product.

This limited 1 (one) year warranty DOES NOT COVER the following:

1. Defects or damage arising from shipping, installation, alterations, accidents, abuse, misuse, lack of proper maintenance and use of other than genuine Subzero replacement parts, in all cases whether caused by a contractor, service company, the owner or any other person.
2. Deterioration through normal wear and tear.
3. Damages resulting from abuse or misuse from failure to install or maintain this product in accordance with the written instructions furnished by Subzero Engineering.
4. Use of Cleaning Products Containing Calcium Hypo Chlorite (Chlorine), Scouring Powders or pads shall not be covered.
5. Expense of normal maintenance.
6. All costs of removal, transportation, labor, reinstallation or other costs including postage and/or shipping costs to obtain warranty service shall be paid by the customer.
7. Any liability for consequential or incidental damages, all of which are hereby expressly disclaimed, and implied warranties, including those of merchantability or fitness for purpose intended are specifically excluded. (Some jurisdictions do not allow limitations on how long an implied warranty lasts, or the exclusion or limitation of incidental or consequential damages, so these limitations and exclusions may not apply to you.)
8. Responsibility for compliance with local code requirements are excluded from this warranty. (Since local code requirements vary greatly, distributors, dealers, installation contractors, and users should determine whether there are any code restrictions on the installation or use of a specific product.)

This limited warranty gives you specific legal rights. You may have other statutory rights that vary from state to state or from province to province, in which case this limited warranty does not affect such statutory rights.

### Limited Warranty Contact Information

For service under these limited warranties, it is suggested that a claim be made through the contractor or dealer from or through whom the product was purchased, or that a service request (including a description of the product model and of the defect) be sent to the following address:

United States:

Subzero Engineering  
228 W 12300 S  
Suite 108  
Draper, UT 84020  
Attention: Director of Consumer Affairs

For residents of the United States, warranty information may also be obtained by calling: (801) 810-3500

## Pre-Assembly

### Planning Assembly

Unpack all items and compare them to the Components Included list. Lay all parts on a flat non-abrasive surface such as cardboard. If any item appears damaged or is missing, do not assemble and contact Subzero Engineering.

### Tools Needed

#### TOOLS PROVIDED

3mm Hex Key

#### ADDITIONAL TOOLS REQUIRED

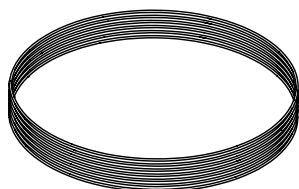
Cable Snips / Side-Cutters

Phillips Head Screwdriver

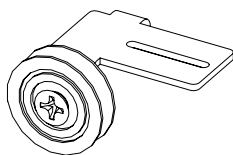


It is recommended that at least two people assemble this product.

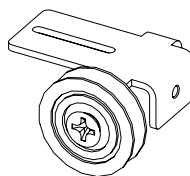
### Components Included



Item 3001  
x2 Rolls



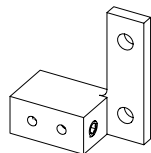
Item 3002  
x1



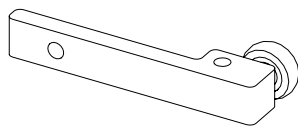
Item 3003  
x1



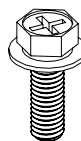
Item 3004  
x4



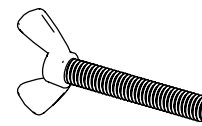
Item 3005  
x2



Item 3006  
x4



Item 3007  
x2



Item 3008  
x2



Item 3009  
x4

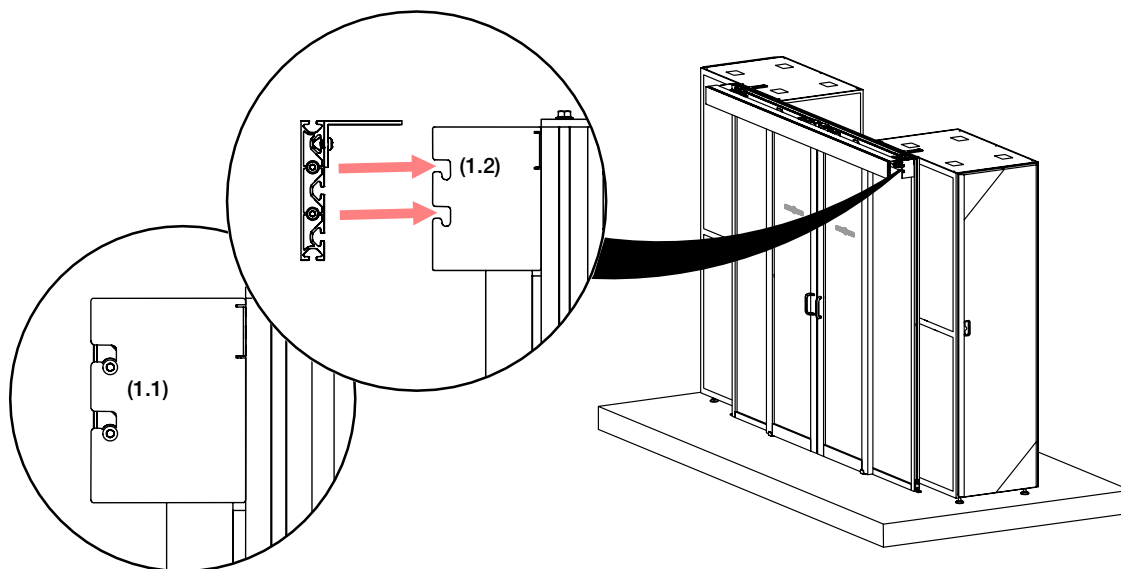


Hardware is not shown to scale.

Threads on hardware may be shown as removed.

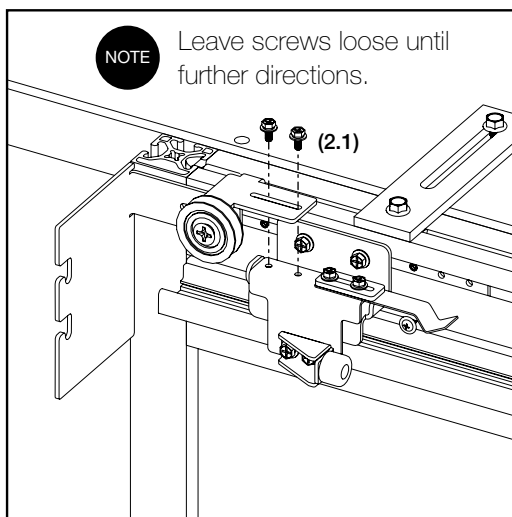
## Assembly

### 1 – Remove the Header

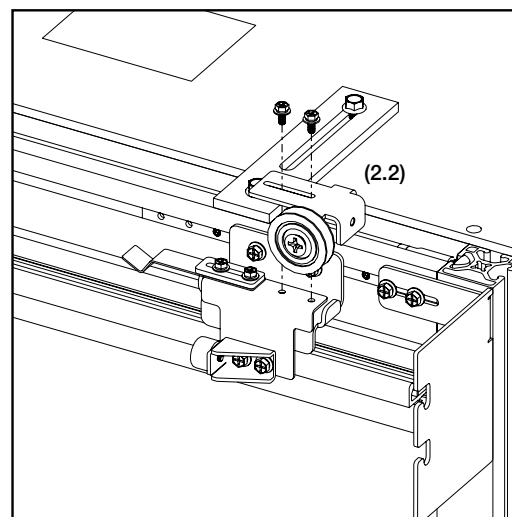


- (1.1) Loosen the 4 Valance Screws with a 4mm hex key. (Do not remove the screws.)
- (1.2) Remove the Valance by lifting up and sliding the screws out of their slots.

### 2 – Attach the Tensioners



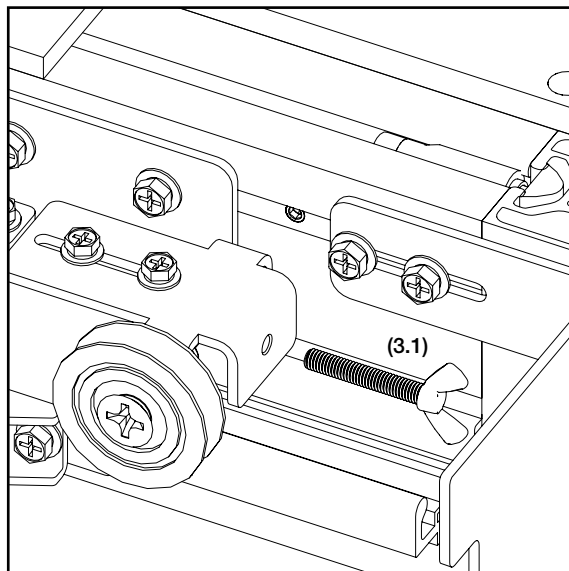
Left Hand Tensioner



Right Hand Tensioner

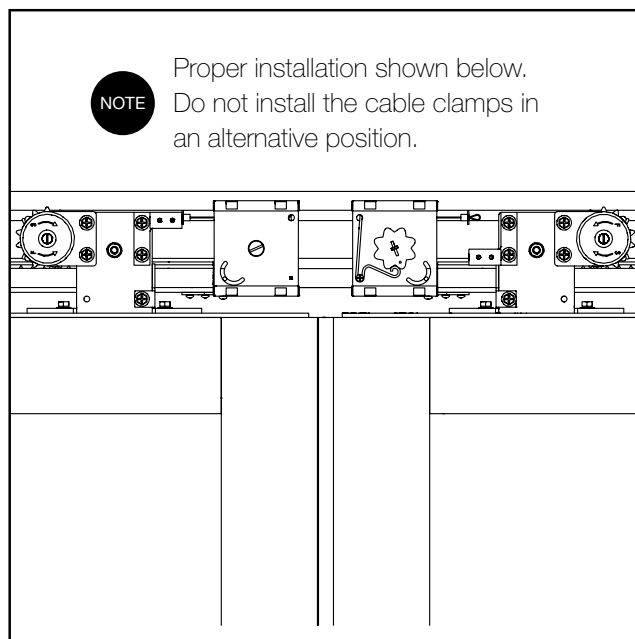
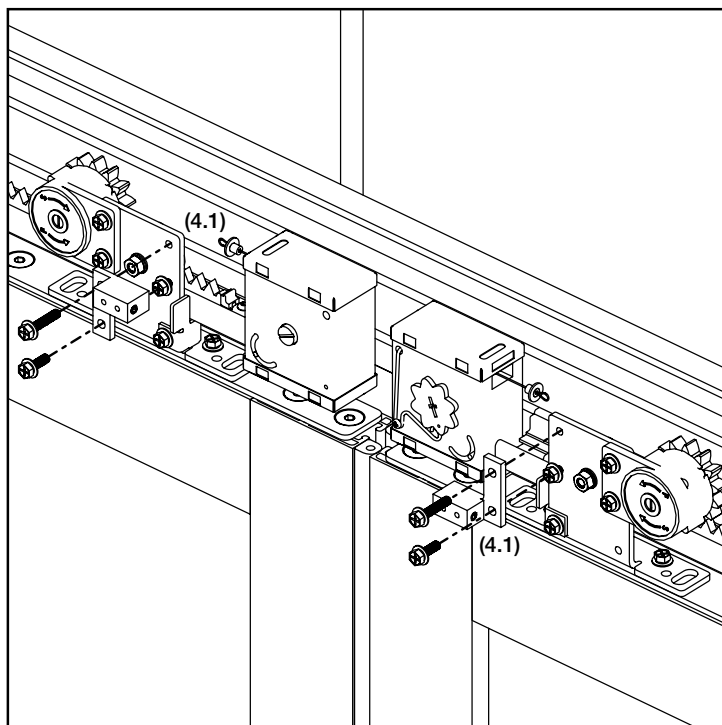
- (2.1) Attach the Left Hand Tensioner (Item 3002) to the Hold Open Latch Mounting Bracket with two M4x10mm screws (Item 3004).
- (2.2) Attach the Right Hand Tensioner (Item 3003) as in the above step.

### 3 – Add the Tensioning Screws



**(3.1)** Screw in the Tensioning Screws (Item 3008) on each Tensioning Bracket.

### 4 – Attach the Cable Clamps

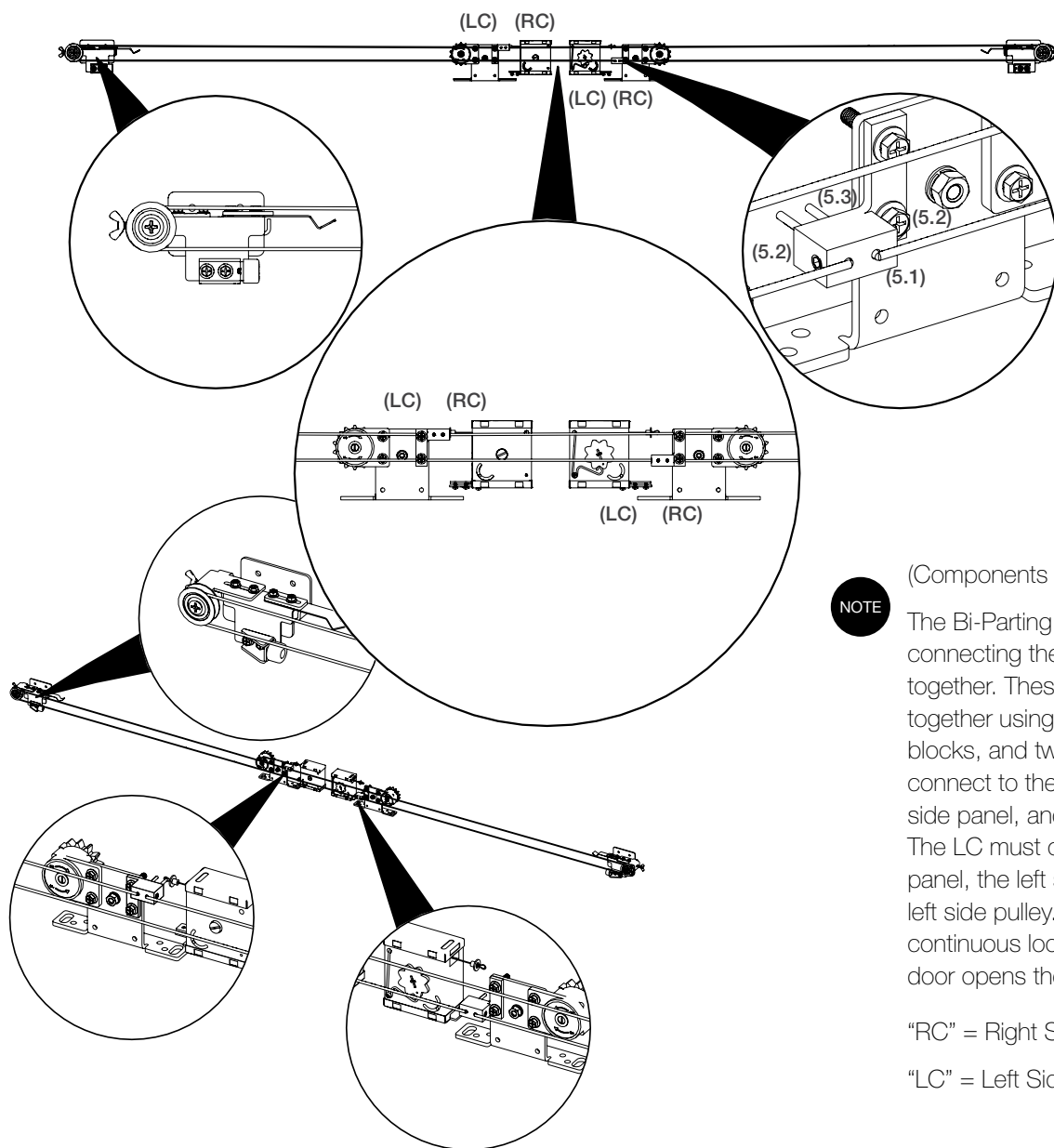


**NOTE**

Proper installation shown below.  
Do not install the cable clamps in  
an alternative position.

**(4.1)** Attach the cable clamps (Item 3005) to the inner wheel brackets as shown. Remove and use the auto closer cable mount screw to attach to the top hole. Use (Item 3007) to attach to the bottom hole.

## 5 – Attach the Bi-Parting Cables



(Components removed for clarity)

**NOTE**

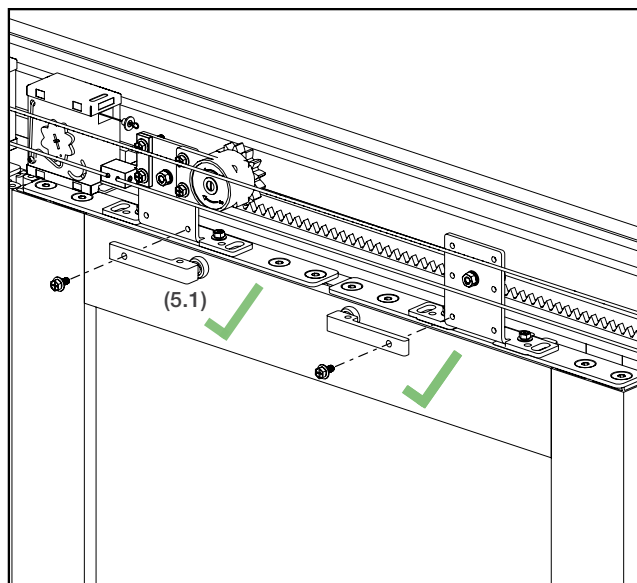
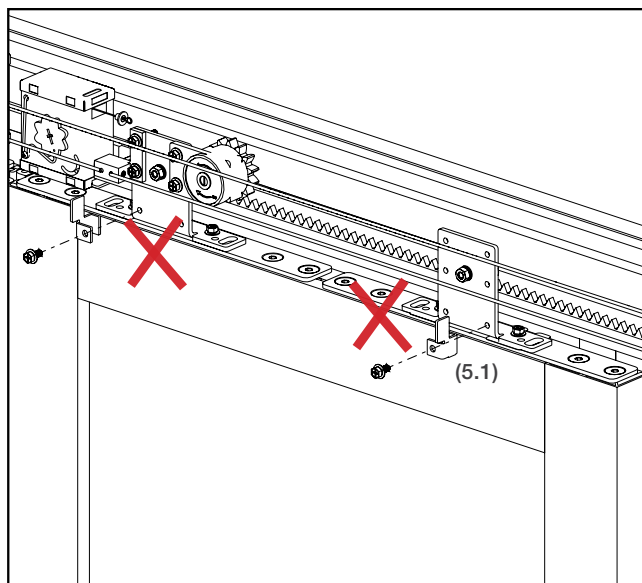
The Bi-Parting system functions by connecting the two sliding door panels together. These panels are connected together using two cables, two clamp blocks, and two pulleys. The RC must connect to the left side panel, the right side panel, and the right side pulley. The LC must connect to the right side panel, the left side panel, and the left side pulley. This in-turn creates a continuous loop where opening one door opens the other.

“RC” = Right Side Cable End

“LC” = Left Side Cable End

- (5.1)** Push the cable through the hole in the cable clamp block. (Item 3005)
- (5.2)** Tighten with 3mm hex key.
- (5.3)** Snip any excess cable.
- (5.4)** Wrap cable around pulley.
- (5.5)** Attach the cable ends to match the image, and pull the slack through.
- (5.6)** Loosen the Adjustment Bracket.
- (5.7)** Twist the tensioner until the cables are tight, and tighten the Adjustment Bracket to set the tension.

## 6 – Replace the Anti-Jump Clips

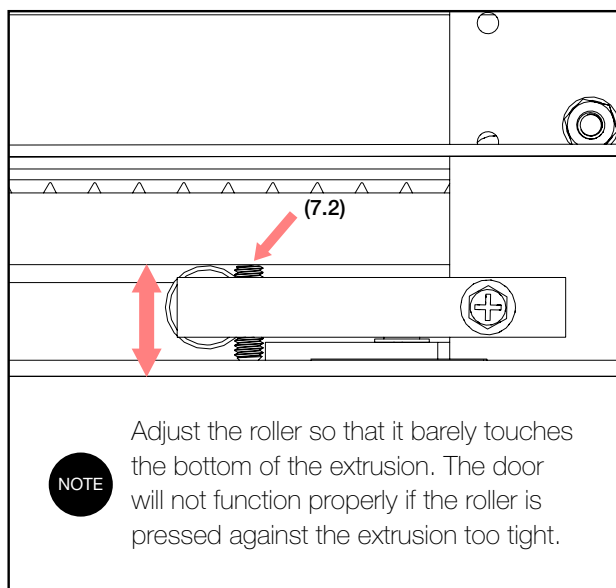
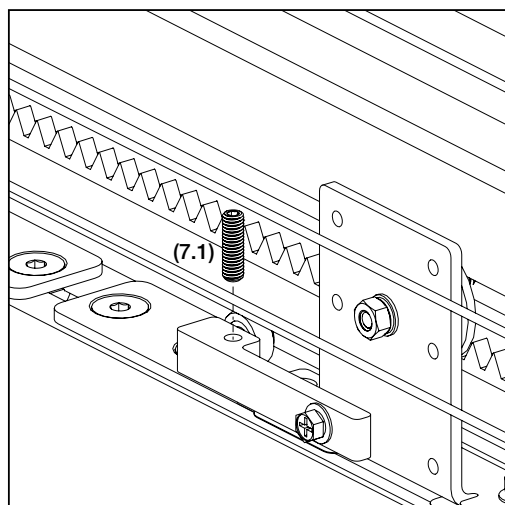


**(6.1)** Remove the Anti-jump Clips on each side of the door panels if they were installed.

**NOTE** Save these screws for (6.2).

**(6.2)** Attach the Anti-jump Rollers (Item 3006) to the inside hole of each wheel bracket on both door panels.  
(Use the screws from 6.1)

## 7 – Add the Roller Set Screws

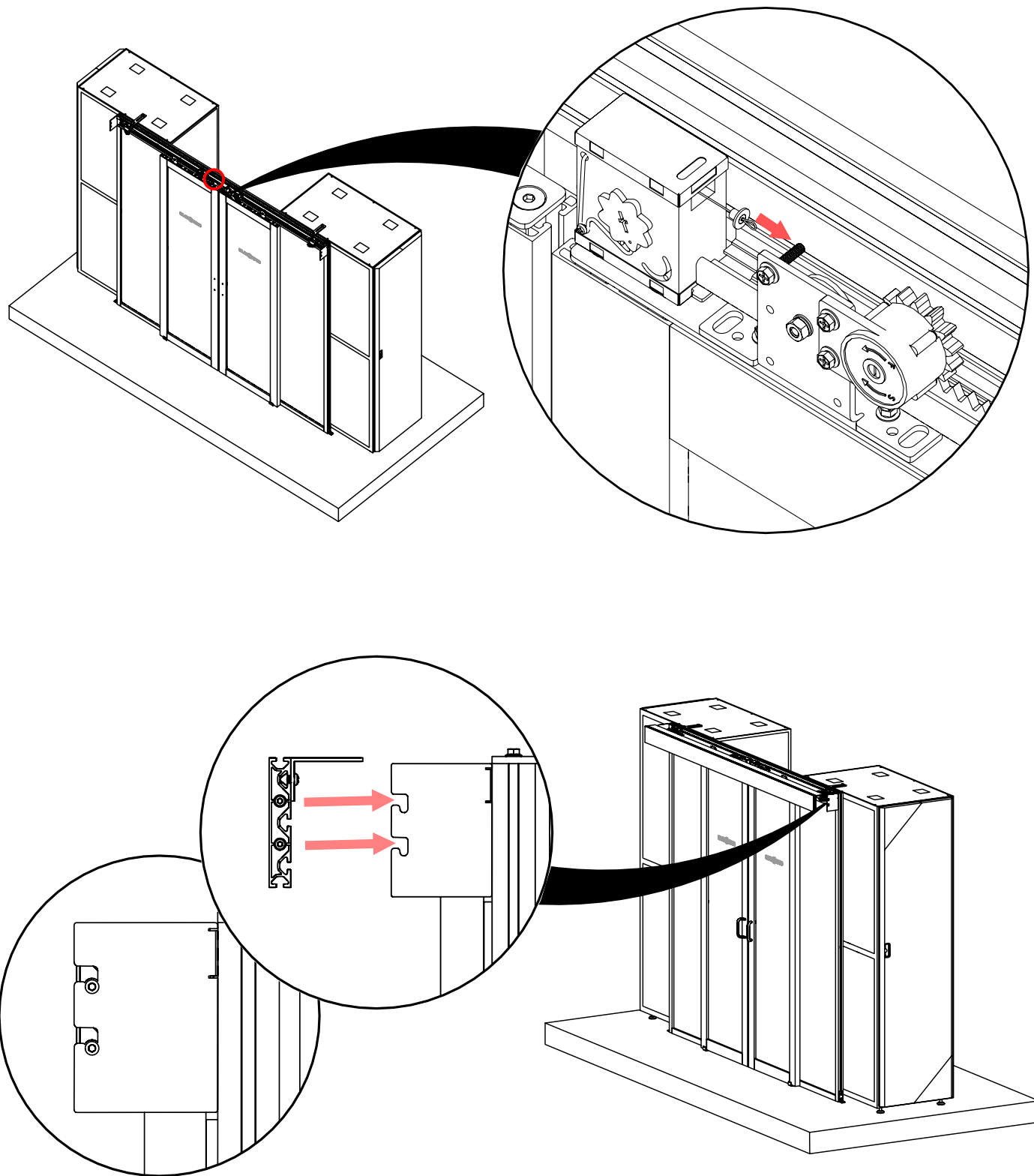


**(7.1)** Screw in the Set Screws (Item 3009) on all four Anti-Jump Rollers.

**(7.2)** Use the Set Screws to adjust the roller up to the bottom of the extrusion.



## 8 – Re-Attach the Auto Closers & Mount the Valance

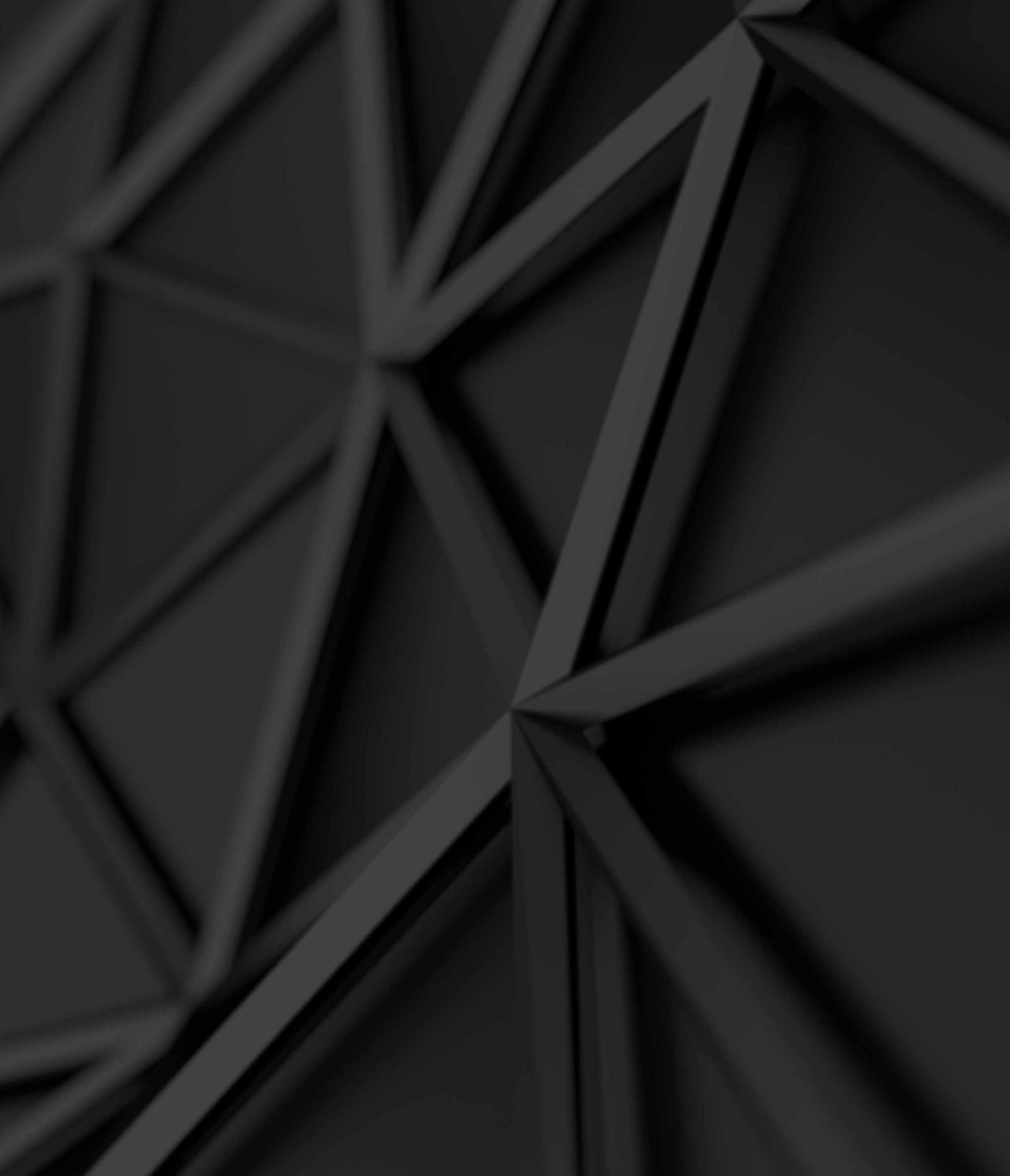


## Operation

- Do not slam the door shut.
- Do not open the door using excessive force.
- Do not pry or try to open the door in a hinged fashion.

## Cleaning the Panel Insert

- Use a soft cloth, mild detergent, and water.
- Do not use any abrasive pads or materials.
- Do not use harsh solvents or thinners.



Design and specifications are subject to change without notice.

Proprietary Notice: The information contained in this user guide is the sole property of Subzero Engineering. Any reproduction in part, or as a whole without the written permission of Subzero Engineering is prohibited.

V 1-0\_06/17/2017 © 2017 Subzero Engineering. All rights reserved.



**World Headquarters**

228 West 12300 South  
Denali Bldg. Suite 108  
Draper, UT 84020

<b>p</b>	801.810.3500
<b>f</b>	866.810.3509
<b>e</b>	info@subzeroeng.com
<b>w</b>	www.subzeroeng.com