



Essential Series

Dual Swing Door

Install/User Guide

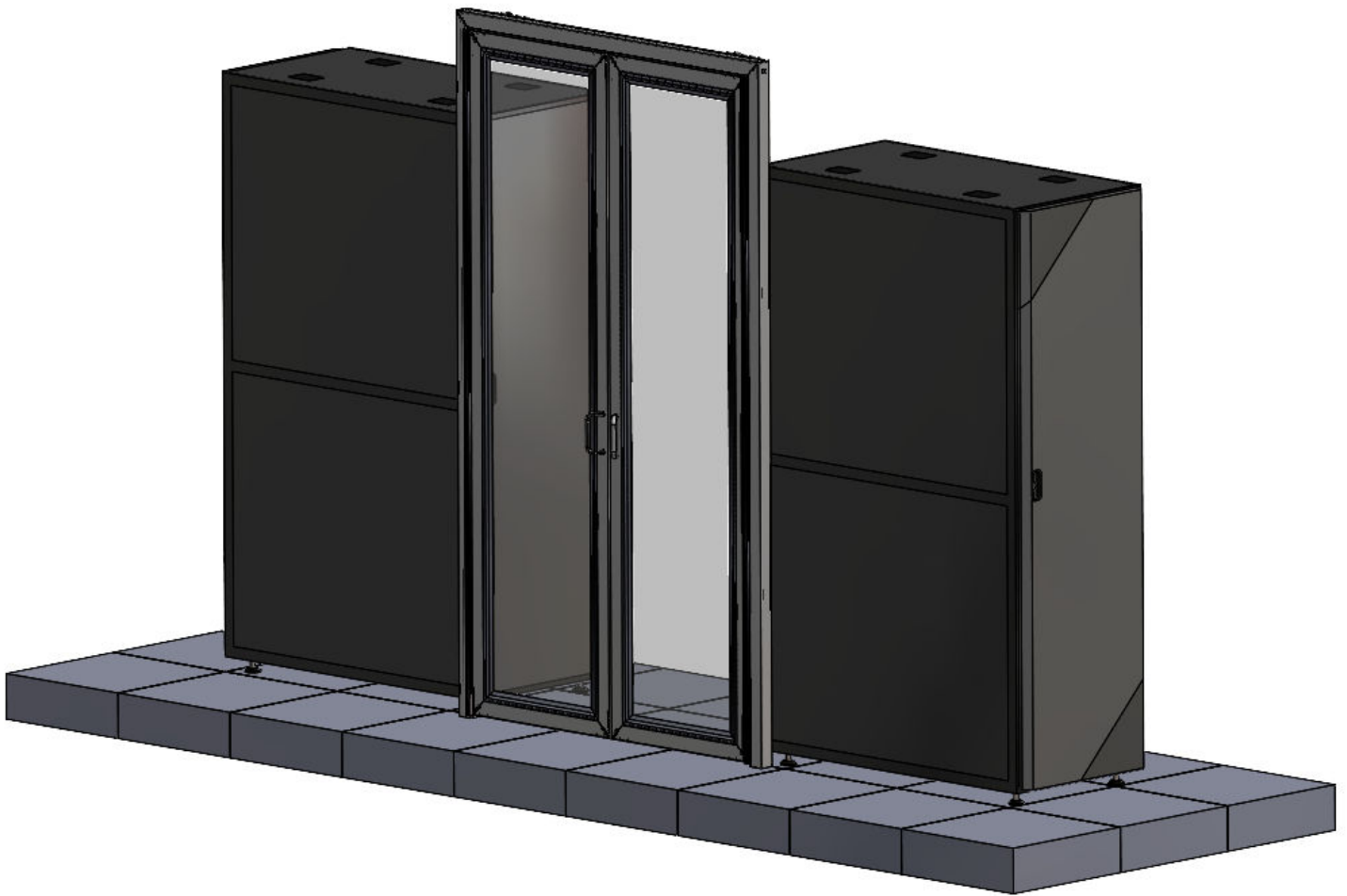




Table of Contents

Safety Information	3
Warranty	3
Pre-Assembly	5
Planning Assembly	5
Tools Required	5
Hardware Included	5
Main Components	6
Assembly	7
Operation	11
Cleaning	11



Safety Information

- While unpacking use caution with sharp objects such as razors to avoid damaging the product.
- A minimum of two people should be available to install this product.
- While drilling or using power tools safety glasses and gloves should be worn to avoid injury.

Warranty

Subzero Engineering warrants to the original purchaser that it will, as its sole option, repair or replace this product or any part of this product, if it confirms that the product is defective in materials or workmanship under normal use and maintenance for one year after the purchase date of the product.

This limited 1 (one) year warranty DOES NOT COVER the following:

1. Defects or damage arising from shipping, installation, alterations, accidents, abuse, misuse, lack of proper maintenance and use of other than genuine Subzero replacement parts, in all cases whether caused by a contractor, service company, the owner or any other person.
2. Deterioration through normal wear and tear.
3. Damages resulting from abuse or misuse from failure to install or maintain this product in accordance with the written instructions furnished by Subzero Engineering.
4. Use of Cleaning Products Containing Calcium Hypo Chlorite (Chlorine), Scouring Powders or pads shall not be covered.
5. Expense of normal maintenance.
6. All costs of removal, transportation, labor, reinstallation or other costs including postage and/or shipping costs to obtain warranty service shall be paid by the customer.
7. Any liability for consequential or incidental damages, all of which are hereby expressly disclaimed, and implied warranties, including those of merchantability or fitness for purpose intended are specifically excluded. (Some jurisdictions do not allow limitations on how long an implied warranty lasts, or the exclusion or limitation of incidental or consequential damages, so these limitations and exclusions may not apply to you.)



8. Responsibility for compliance with local code requirements are excluded from this warranty. (Since local code requirements vary greatly, distributors, dealers, installation contractors, and users should determine whether there are any code restrictions on the installation or use of a specific product.)

This limited warranty gives you specific legal rights. You may have other statutory rights that vary from state to state or from province to province, in which case this limited warranty does not affect such statutory rights.

Limited Warranty Contact Information

For service under these limited warranties, it is suggested that a claim be made through the contractor or dealer from or through whom the product was purchased.

Warranty information may also be obtained by calling: (800) 692-4376 or via email at customerservice@subzeroeng.com.



Pre-Assembly

Planning Assembly

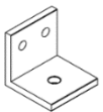
Unpack all items and compare them to the Hardware Included and Package Contents lists. Lay all parts on a flat non-abrasive surface such as cardboard. If any item appears damaged or is missing, do not assemble and contact Subzero Engineering.

*It is recommended that at least two people assemble this product

Tools Required

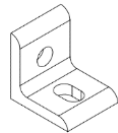
- Level
- Tape Measure
- Power Drill
- 1/4" Drill Bit
- 7/16" Socket

Hardware Included



HP30017

Floor Cleat
x 2



1.2.151.12001

Corner Bracket
x 4



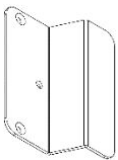
HB50038

#14x1 Self Tapping
Screw
x 14



1.2.001.31135

Handle
x 1



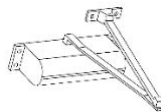
1.2.00.31132

Pull-Push Handle



1.2.000.20149

Cap Screw M6x35



HP50159

Door Closer

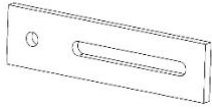


1.2.000.21022

3/8x 1/4-14 Self
Tapping Screw
x 4

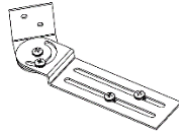


Cleat Options



SZ01510-01

6" Joining Plate
x 2



HP10039

Adjustable Rack Cleat
x 2

Floor Fastener Options



1.2.000.21115

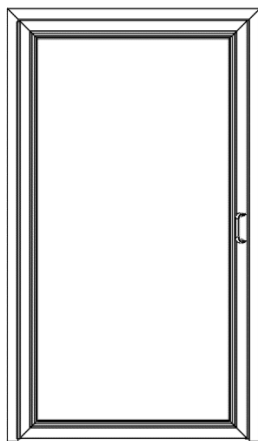
1/4"x2-1/2"
Concrete Fastener
x 2



HB50034

#14x2 Self Tapping
Screw
x 4

Main Components

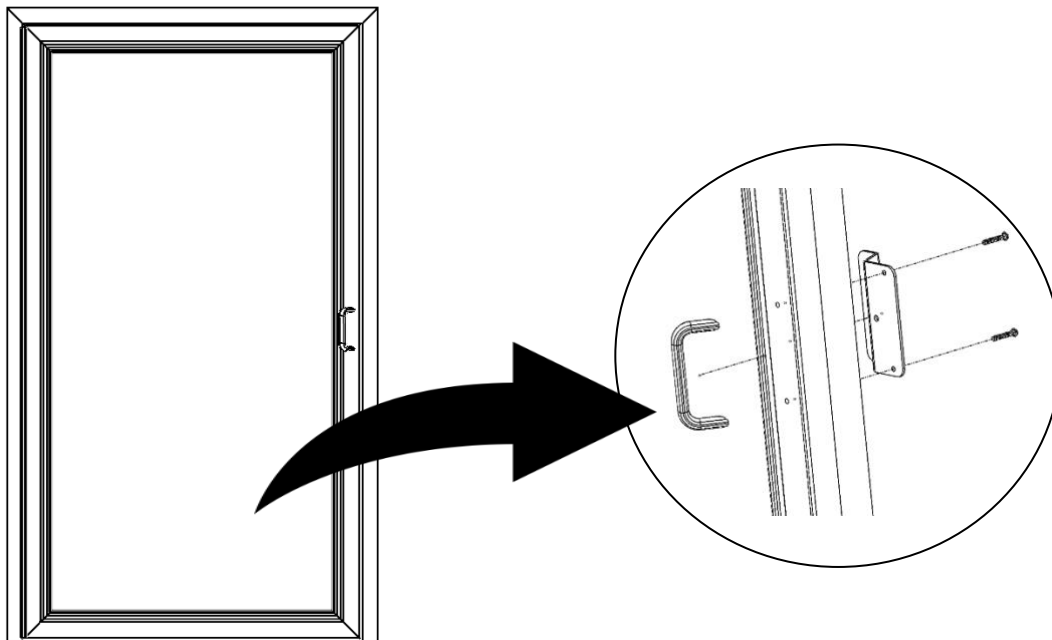


Frame and Door
x 1



Assembly

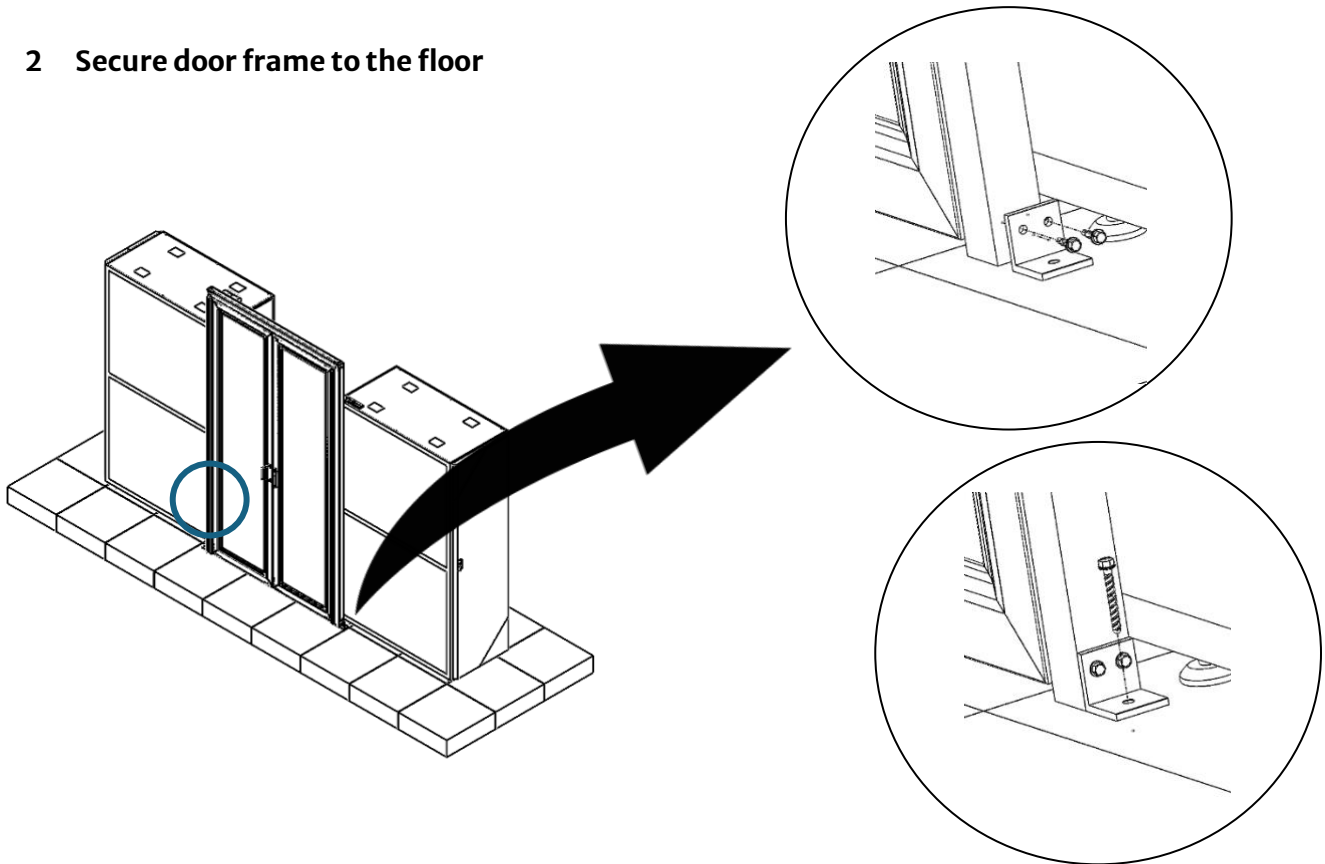
1. Assembly Door Panels



- 1.1 Align handles with the pre-drill holes on the door.
- 1.2 Secure handles with the provided cap screw M6x35.



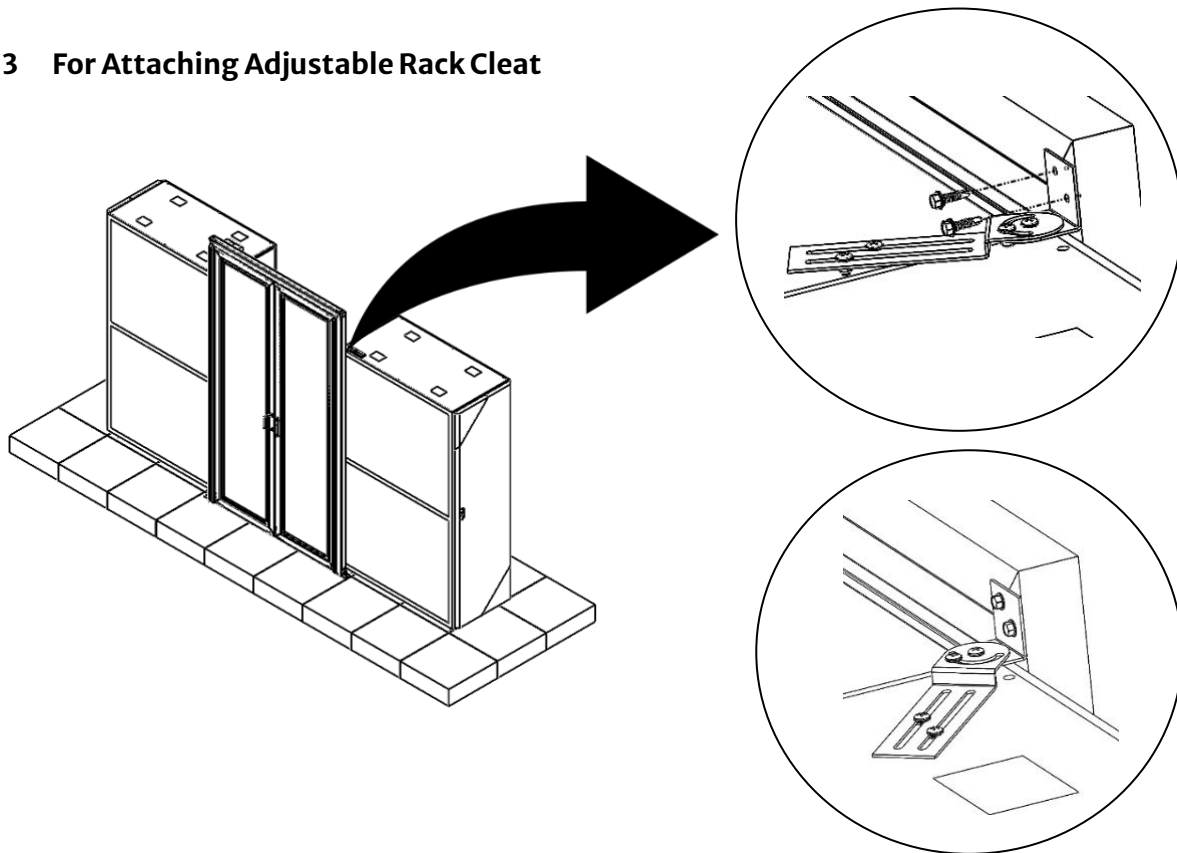
2 Secure door frame to the floor



- 2.1 Once the door is up on the determined location, make sure it is plump, level, and square. Note racks may not be level, so a slight gap may be required behind the door frame.
- 2.2 Use a vacuum while drilling to ensure the particles do not enter server equipment.
- 2.3 Drill the 3/8x 1/4-14 self-tapping screws to fasten the floor cleat to the bottom of the door frame.
- 2.4 Drill pilot hole. Use a power drill and a 1/4" concrete bit.
- 2.5 Using a drill, 7/16" socket and the concrete fastener, secure the frame to the floor (use the appropriate floor fastener provided for your site).
- 2.6 Repeat for the opposite side of the door frame.



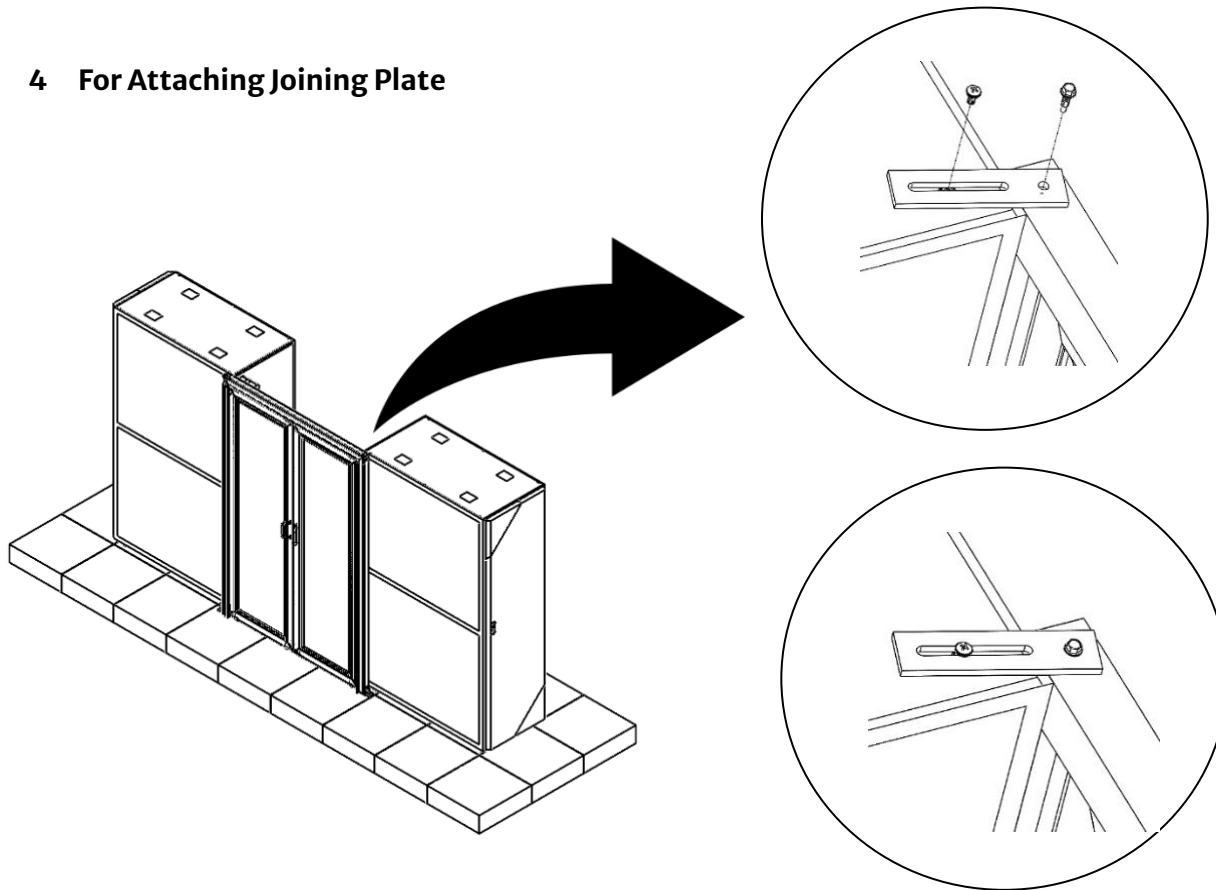
3 For Attaching Adjustable Rack Cleat



- 3.1 Use a vacuum while drilling to ensure the particles do not enter server equipment.
- 3.2 Dry fit the adjustable rack cleat from the top of the rack to the back or side of the door frame.
- 3.3 After determining the optimal location for the cleat, drill the #14x1 self-tapping screws to fasten the cleat to the door frame. Note, it is important not to drill the cleat into the top 2” of the frame header, this will interfere with the self-closer.
- 3.4 Secure the cleat to the top of the rack with the provided bolts in the cleat (Do not drill new holes into the rack, use the existing holes).
- 3.5 Repeat process on opposite side and ensure door is level.



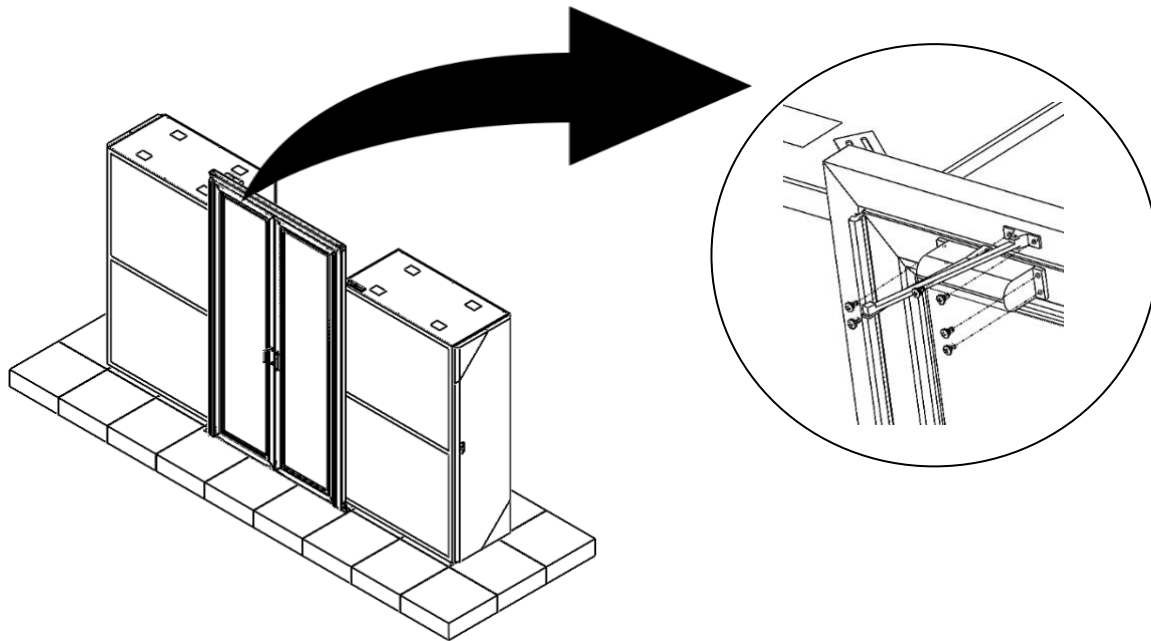
4 For Attaching Joining Plate



- 4.1 Use a vacuum while drilling to ensure the particles do not enter server equipment.
- 4.2 Dry fit the 6in joining plate from the top of the door frame to the top of the rack.
- 4.3 After determining the optimal location for the joining plate, drill the #14x1 self-tapping screws to fasten the cleat to the door frame
- 4.4 Secure the cleat to the top of the rack with the provided bolts in the cleat (Do not drill new holes into the rack, use the existing holes).
- 4.5 Repeat process on opposite side and ensure door is level.



5 Install Door Closer



5.1 Using the pre-drill holes. Attach the door closer to the door and frame.

Operation

- Do not hang on the panel.
- Panel may tip over and cause an injury if not secured properly.

Cleaning

- Use a soft cloth, mild detergent, and water.
- Do not use any abrasive pads or materials.
- Do not use harsh solvents or thinners.