



Elite Series

Hinged Door

Install/User Guide

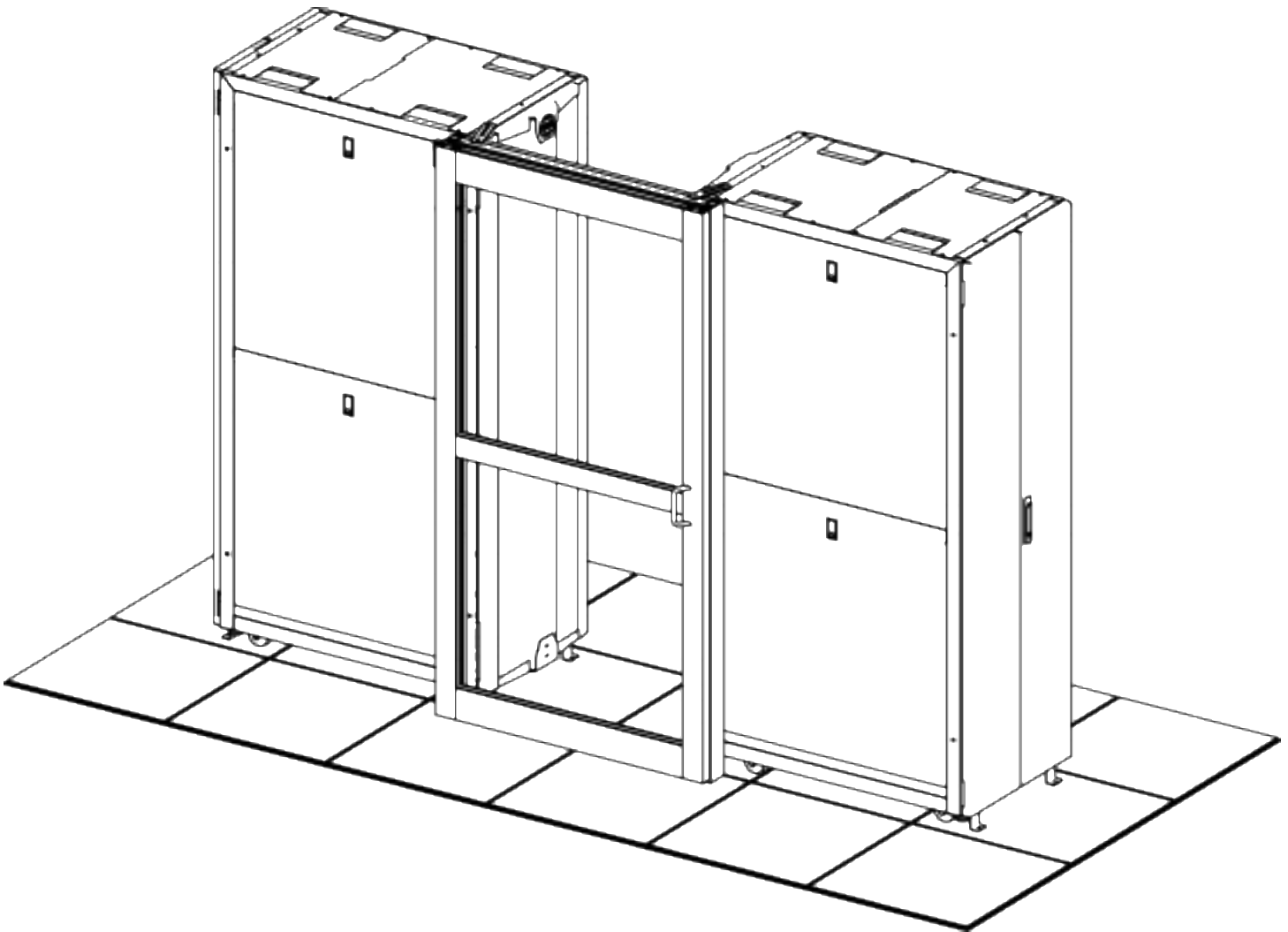


TABLE OF CONTENTS

Table of Contents	2	Assembly	5
Safety Information	2	Operation	13
Warranty	2	Cleaning	13
Pre-Assembly	3		
Planning Assembly	3		
Tools Required	3		
Hardware Included	3		
Package Contents	4		

SAFETY INFORMATION

- While unpacking, use caution with sharp objects such as razors to avoid damaging the product.
- A minimum of two people should be available to install this product.
- While drilling or using power tools, safety glasses and gloves should be worn to avoid injury.

1 YEAR LIMITED WARRANTY

Subzero Engineering warrants to the original purchaser that it will, as its sole option, repair or replace this product or any part of this product, if it confirms that the product is defective in materials or workmanship under normal use and maintenance for one year after the purchase date of the product.

This limited 1 (one) year warranty DOES NOT COVER the following:

1. Defects or damage arising from shipping, installation, alterations, accidents, abuse, misuse, lack of proper maintenance and use of other than genuine Subzero replacement parts, in all cases whether caused by a contractor, service company, the owner or any other person.
2. Deterioration through normal wear and tear.
3. Damages resulting from abuse or misuse from failure to install or maintain this product in accordance with the written instructions furnished by Subzero Engineering.
4. Use of Cleaning Products Containing Calcium Hypo Chlorite (Chlorine), Scouring Powders or pads shall not be covered.
5. Expense of normal maintenance.
6. All costs of removal, transportation, labor, reinstallation or other costs including postage and/or shipping costs to obtain warranty service shall be paid by the customer.
7. Any liability for consequential or incidental damages, all of which are hereby expressly disclaimed, and implied warranties, including those of

merchantability or fitness for purpose intended are specifically excluded. (Some jurisdictions do not allow limitations on how long an implied warranty lasts, or the exclusion or limitation of incidental or consequential damages, so these limitations and exclusions may not apply to you.)

8. Responsibility for compliance with local code requirements are excluded from this warranty. (Since local code requirements vary greatly, distributors, dealers, installation contractors, and users should determine whether there are any code restrictions on the installation or use of a specific product.)

This limited warranty gives you specific legal rights. You may have other statutory rights that vary from state to state or from province to province, in which case this limited warranty does not affect such statutory rights.

Limited Warranty Contact Information

For service under these limited warranties, it is suggested that a claim be made through the contractor or dealer from or through whom the product was purchased, or that a service request (including a description of the product model and of the defect) be sent to the following address:


United States:
Subzero Engineering
228 W 12300 S
Suite 108
Draper, UT 84020
Attention: Director of Consumer Affairs

For residents of the United States, warranty information may also be obtained by calling: (801) 810-3500

PRE-ASSEMBLY

Planning Assembly

Unpack all items and compare them to the Hardware Included and Package Contents lists. Lay all parts on a flat, non-abrasive surface such as cardboard. If any item appears damaged or is missing, do not assemble and contact Subzero Engineering.


 It is recommended that at least two people assemble this product.


Tools Required

- Powered Drill
- 1/2" Deep Socket
- 3/8" Socket
- Tape Measure
- Level
- Pencil
- Mallet
- Flat Head Screwdriver
- Phillips Head Screwdriver

Tools Provided

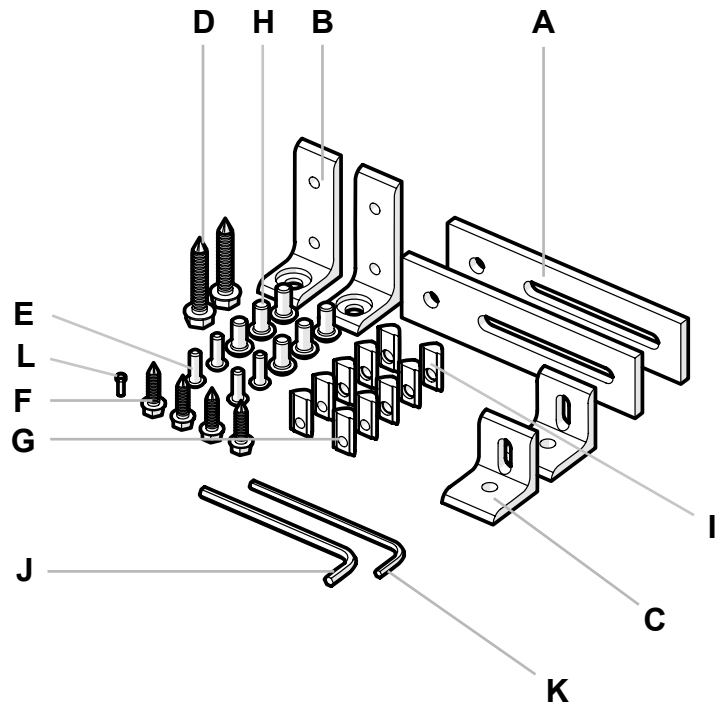
- 4mm Hex Key
- 5mm Hex Key

 Hardware is not shown to scale.

 Threads on hardware may be shown as removed.

Hardware Included

Item #	Description	Qty.
A	6" SLOTTED FLAT PLATE	2
B	FLOOR MOUNTING FOOT	2
C	2 HOLE SLOTTED CORNER BRACKET	2
D	1/2" HEAD X 2" SELF TAPPING SCREW	2
E	BHSCS M6 X 16MM	4
F	3/8" HEAD X 1" SELF TAPPING SCREW	4
G	M6 DROP-IN T-NUT	4
H	BHSCS M8 X 16MM	6
I	M8 DROP-IN T-NUT	6
J	5MM HEX KEY	1
K	4MM HEX KEY	1
L	HINGE SET PIN	1



PRE-ASSEMBLY (CONTINUED)

Door Package Contents

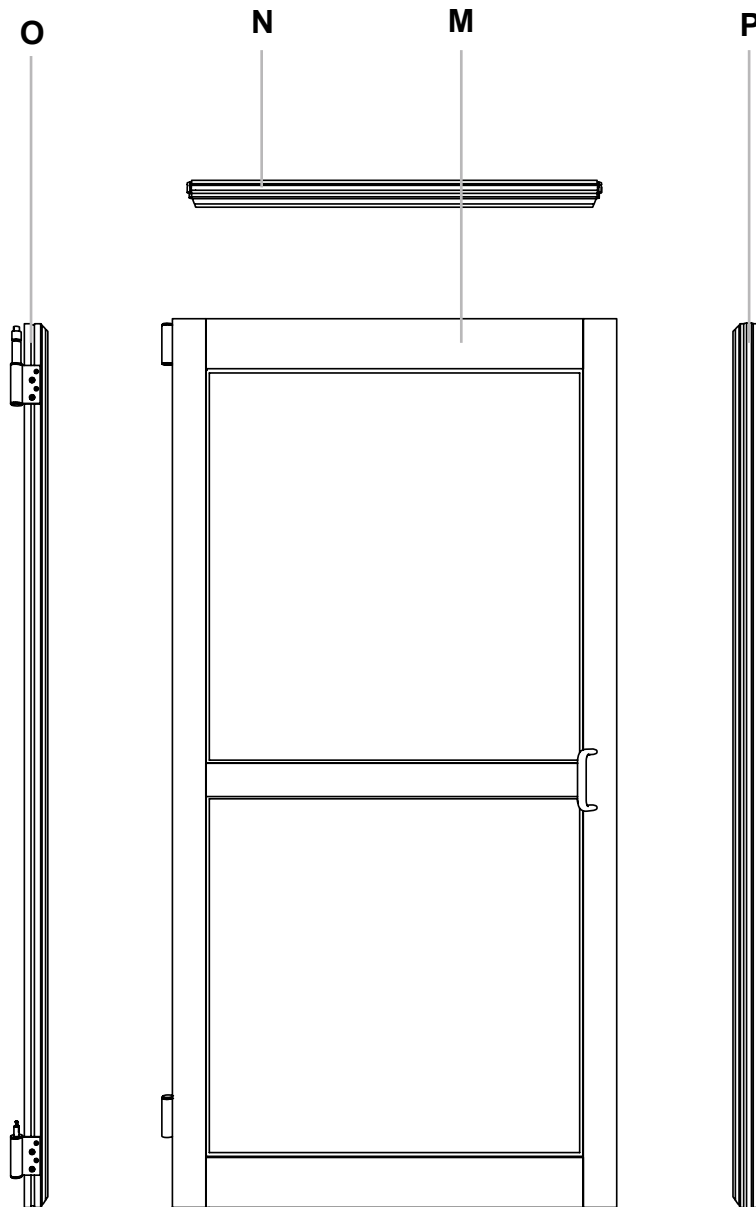
Item #	Description	Qty.
M	DOOR PANEL	1
N	DOOR HEADER	1
O	HINGE POST	1
P	STOP POST	1



A left and right door panel, as well as a left and right hinge post, will be included if a Dual Hinged Door is ordered.

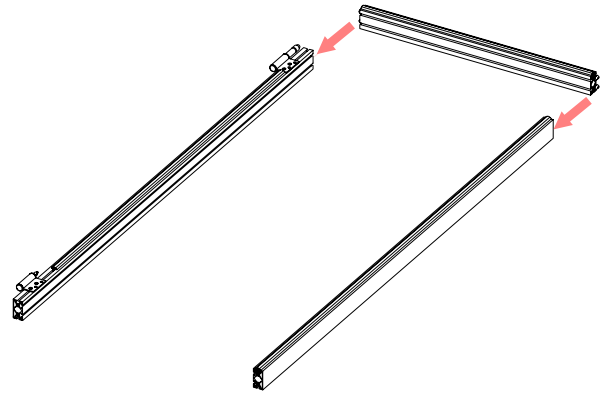


Right hand door shown. Actual product may vary from what is shown.



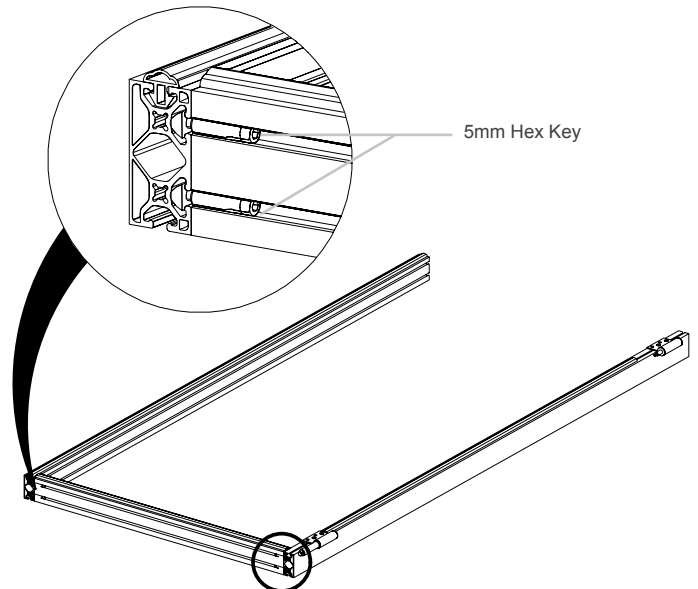
1 - ASSEMBLE THE FRAME

- ❑ Lay the posts and header on the floor with the gasket and hinges facing up.
- ❑ Push the header into place over the panel inserts.
- ❑ The t-nuts on either end must line up with the vertical running t-slots on the posts.



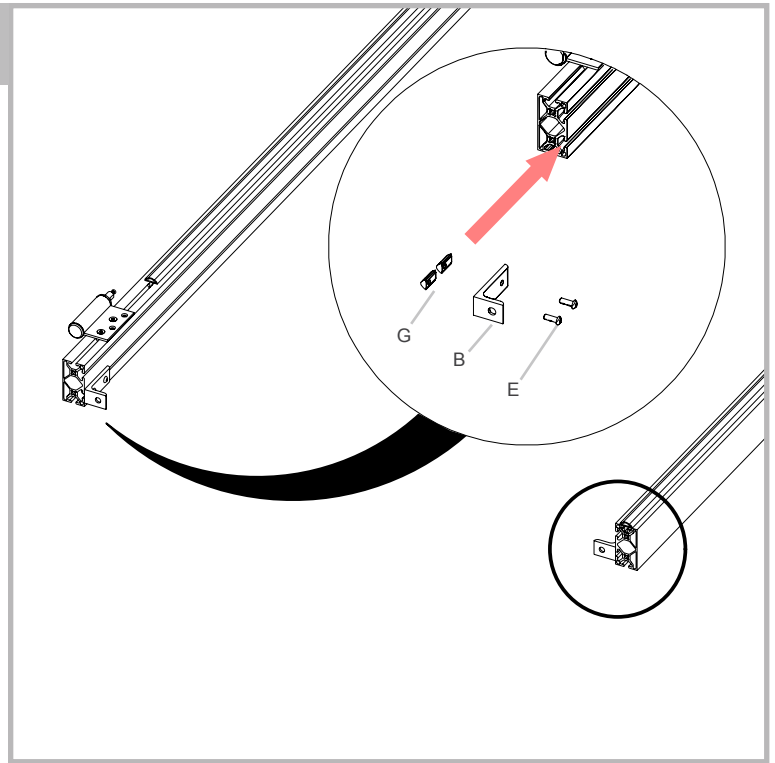
2 - FASTEN THE FRAME

- ❑ Fasten the door frame together using a 5mm hex key.
- ❑ Fasten each end of the header in the locations shown.



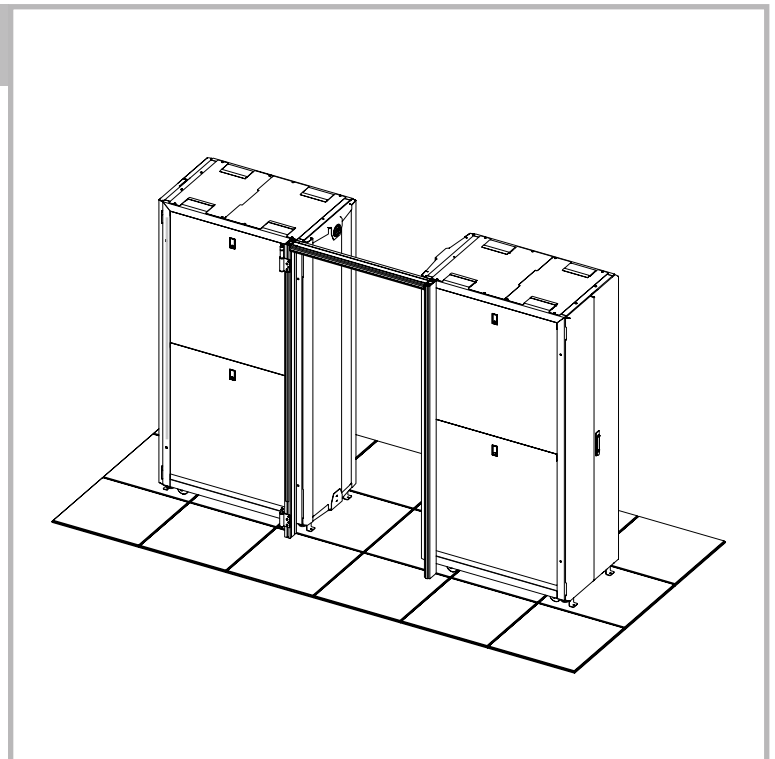
3 - ATTACHING THE FEET

- Attach the feet to the posts using the hardware shown.
- Tighten Item # E using the 4mm hex key.



4 - STAND THE FRAME UP

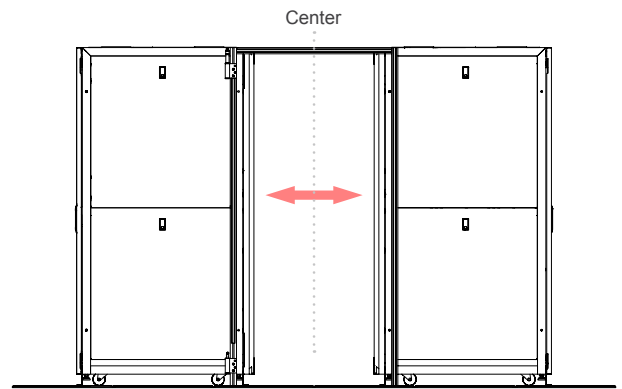
- Stand the door frame up.
- Move the door frame in front of the server cabinets or wherever its desired position may be.
- Ensure that the smooth face of the door frame is facing you as you look into the aisle.



Two people are required to stand the door into position.

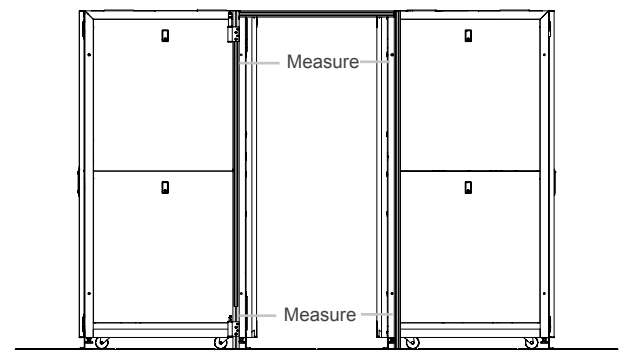
5 - POSITION THE DOOR

- Move the door frame to the left or right and determine where it is to be placed.
- Typically, the door frame should be centered on the aisle.
- Make sure the area is free from obstructions and mark lightly on the floor where the door frame is to be installed.



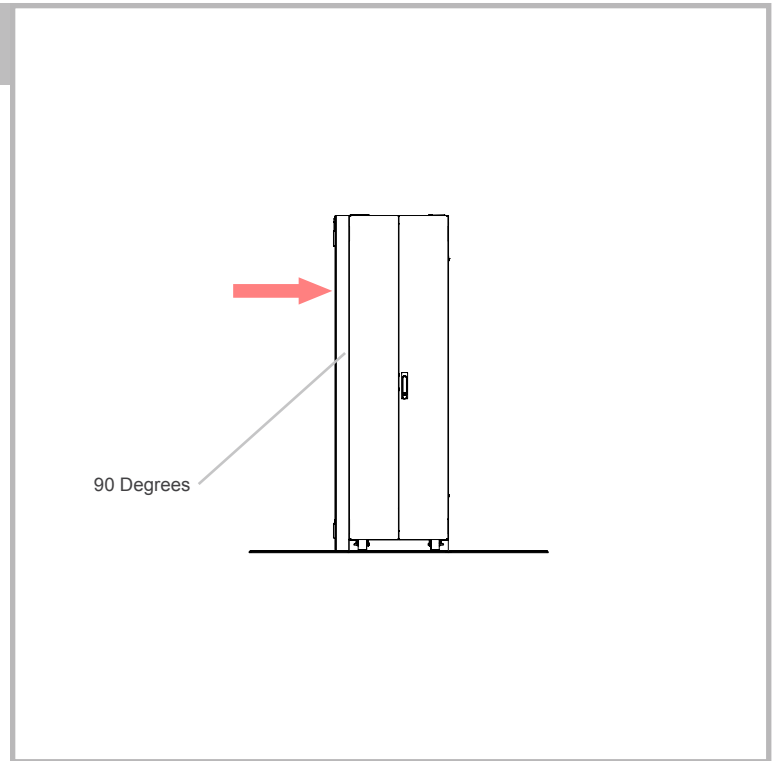
6 - SQUARE THE DOOR FRAME

- Measure as shown in the figure.
- Adjust the frame until the two measurements are equal.



7 - LEVEL THE DOOR FRAME

- ❑ Ensure that the door frame is standing at 90 degrees to the floor.
- ❑ Adjust the bottom or the top of the door frame out as needed.

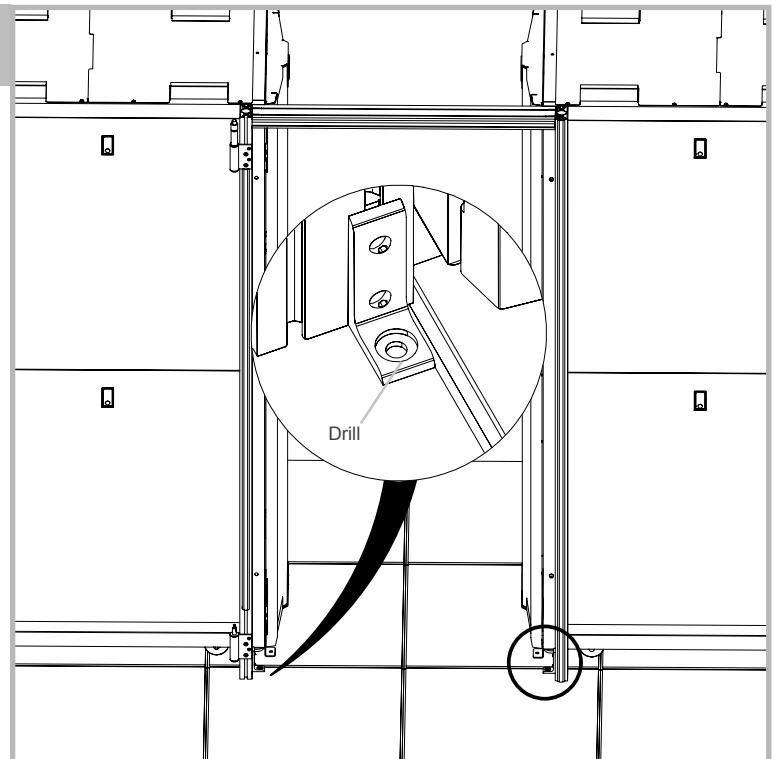


8 - DRILL PILOT HOLES

- ❑ Drill pilot holes for mounting the door frame in the locations shown.
- ❑ Use a powered drill and a 1/4" bit.



Use a vacuum while drilling to ensure that particulates do not enter server equipment.



9 - FASTEN THE FRAME DOWN

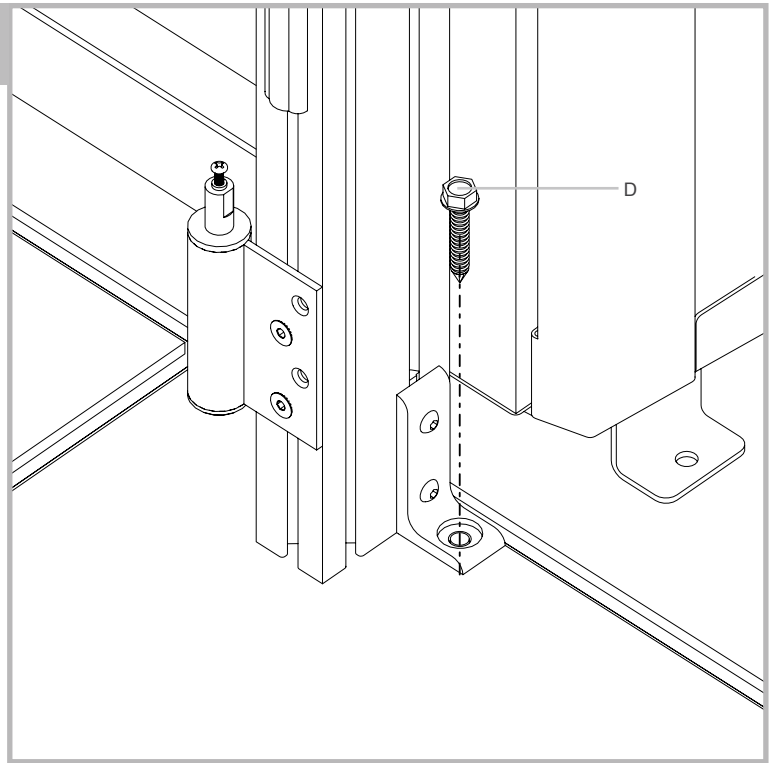
- Using a drill, 1/2" deep socket, and Item # D, fasten the frame down in the 2 locations where pilot holes were drilled.



Raised floor installation shown.



If a concrete installation kit was selected, Item # D will be replaced with concrete screws and should be installed in the same fashion.



10 - SECURE TO THE CABINETS

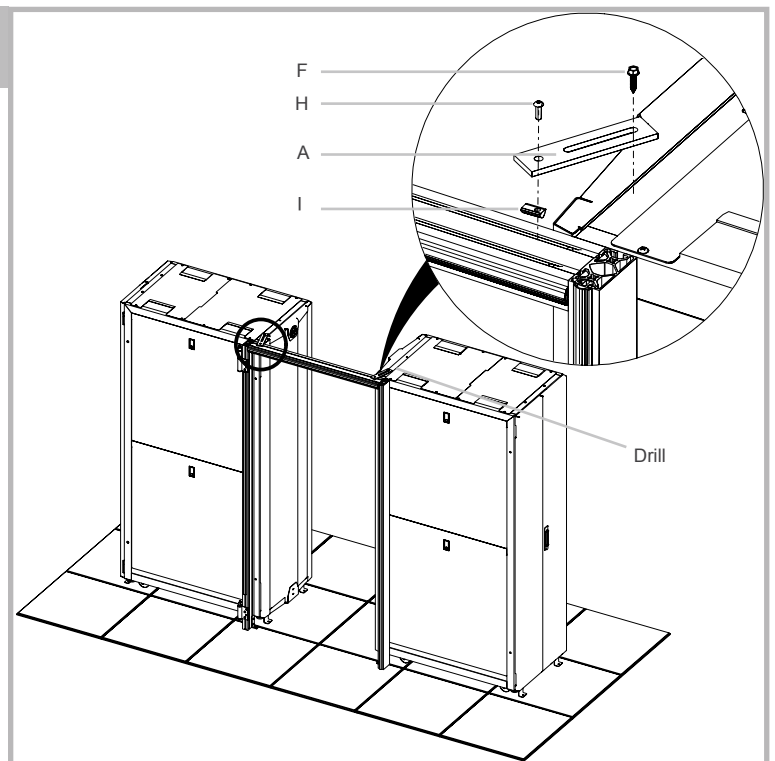
- Attach Item # A to the frame as shown.
- If no existing holes can be utilized, use Item # F, a drill, and a 3/8" socket to self tap into the server cabinet frame.
- Repeat the above steps on the left and right sides of the door frame.



Use a vacuum while using self tapping screws to ensure that particulates do not enter server equipment.

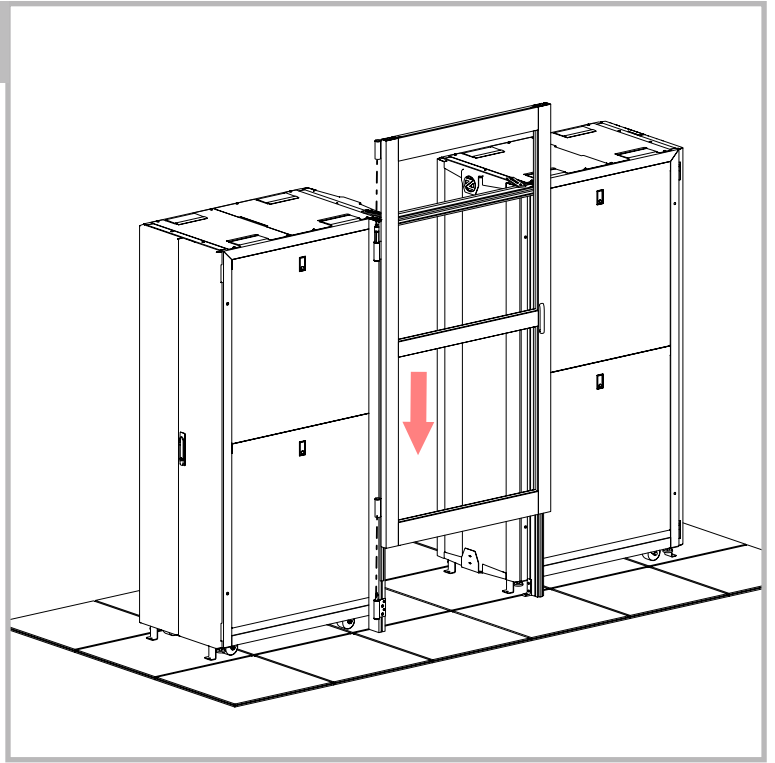


There are many ways to secure to the server cabinet. Make sure you select a method appropriate for your environment.



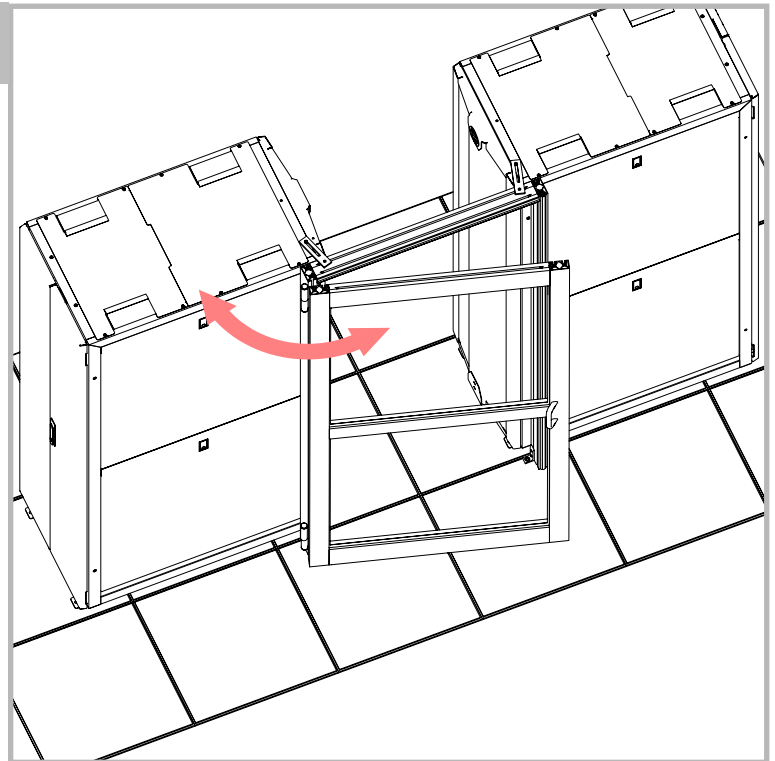
11 - HANG THE DOOR PANEL

- Hang the door panel on the frame hinges.



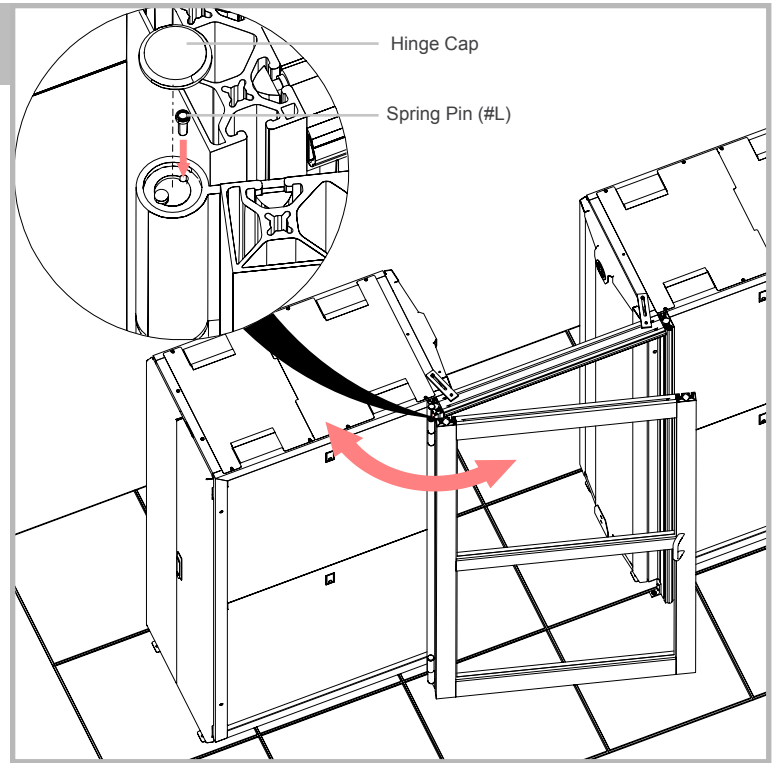
12 - CONTINUED

- Swing the door open and closed until the hinges align properly.
- Ensure that the hinges are fully seated before continuing.



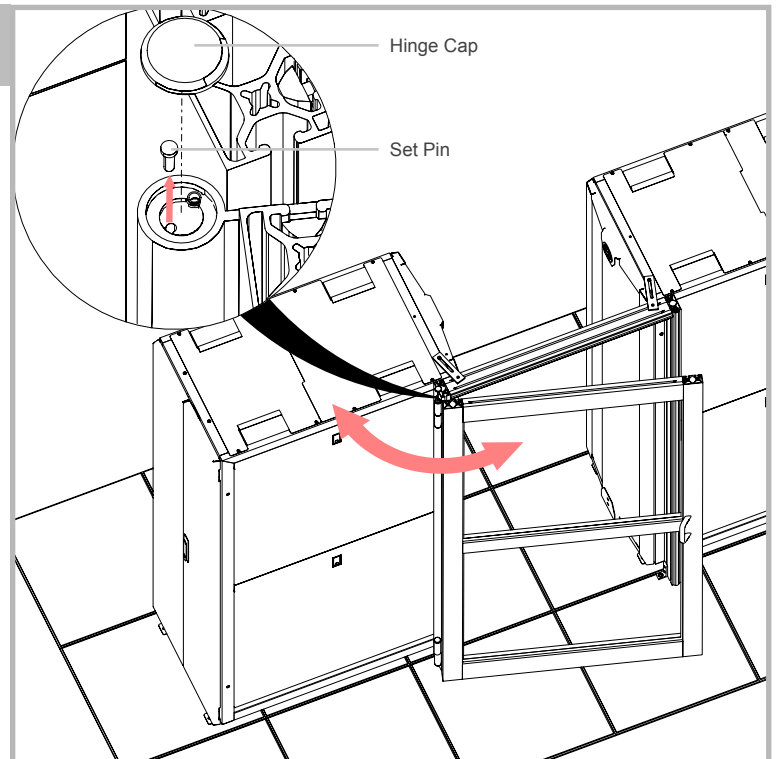
13 - SET THE SPRING HINGE

- ❑ Open the door 5 to 15 degrees.
- ❑ Remove the hinge cap.
- ❑ Using a small mallet, tap the spring pin (#L) into the hinge.



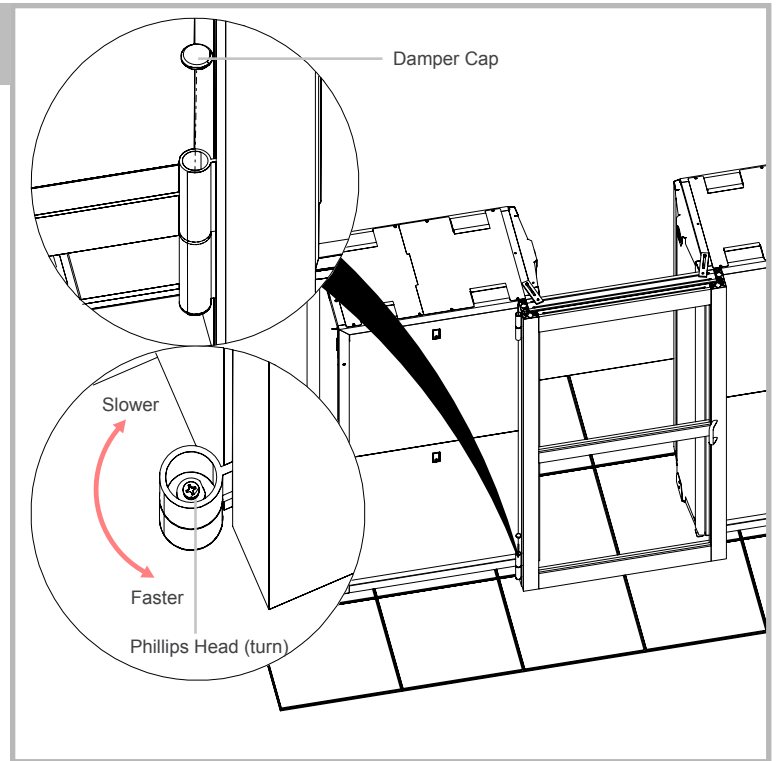
14 - REMOVE THE SET PIN

- ❑ Open the door 30 degrees or more.
- ❑ Using a flat head screwdriver, carefully pry the set pin out of the hinge.
- ❑ Push the set pin into the pin holder on the bottom of the hinge cap.



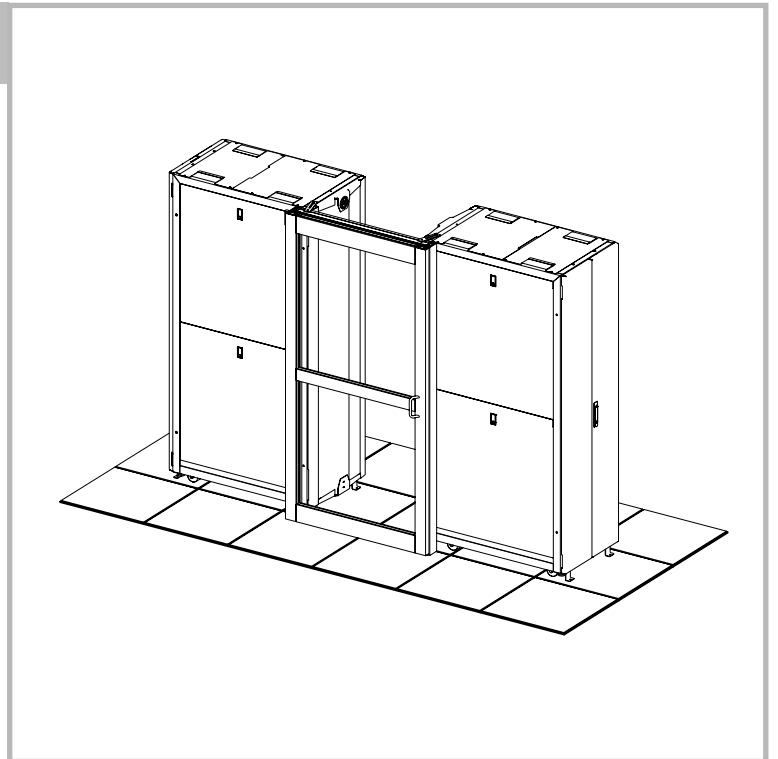
15 - ADJUST CLOSING SPEED

- ❑ Remove the damper cap.
- ❑ Using a Phillips head screwdriver, adjust the closing speed to meet your needs.



16 - FINISHED

**FOR DUAL HINGED DOOR:
REPEAT THE ABOVE STEPS FOR
THE LEFT AND RIGHT DOORS.**



OPERATION

- Do not slam the door shut.
- Do not open the door using excessive force.
- Do not hang on the door while open.

CLEANING - PANEL INSERT

- Use a soft cloth, mild detergent, and water.
- Do not use any abrasive pads or materials.
- Do not use harsh solvents or thinners.



Design and specifications are subject to change without notice.

Proprietary Notice: The information contained in this user guide is the sole property of Subzero Engineering. Any reproduction in part, or as a whole without the written permission of Subzero Engineering is prohibited.

V 2-1_04/30/2015 © 2015 Subzero Engineering. All rights reserved.



Corporate Office
228 West 12300 South
Denali Bldg. Suite 108
Draper, UT 84020

p 801.810.3500
f 866.810.3509
e info@subzeroeng.com
w www.subzeroeng.com