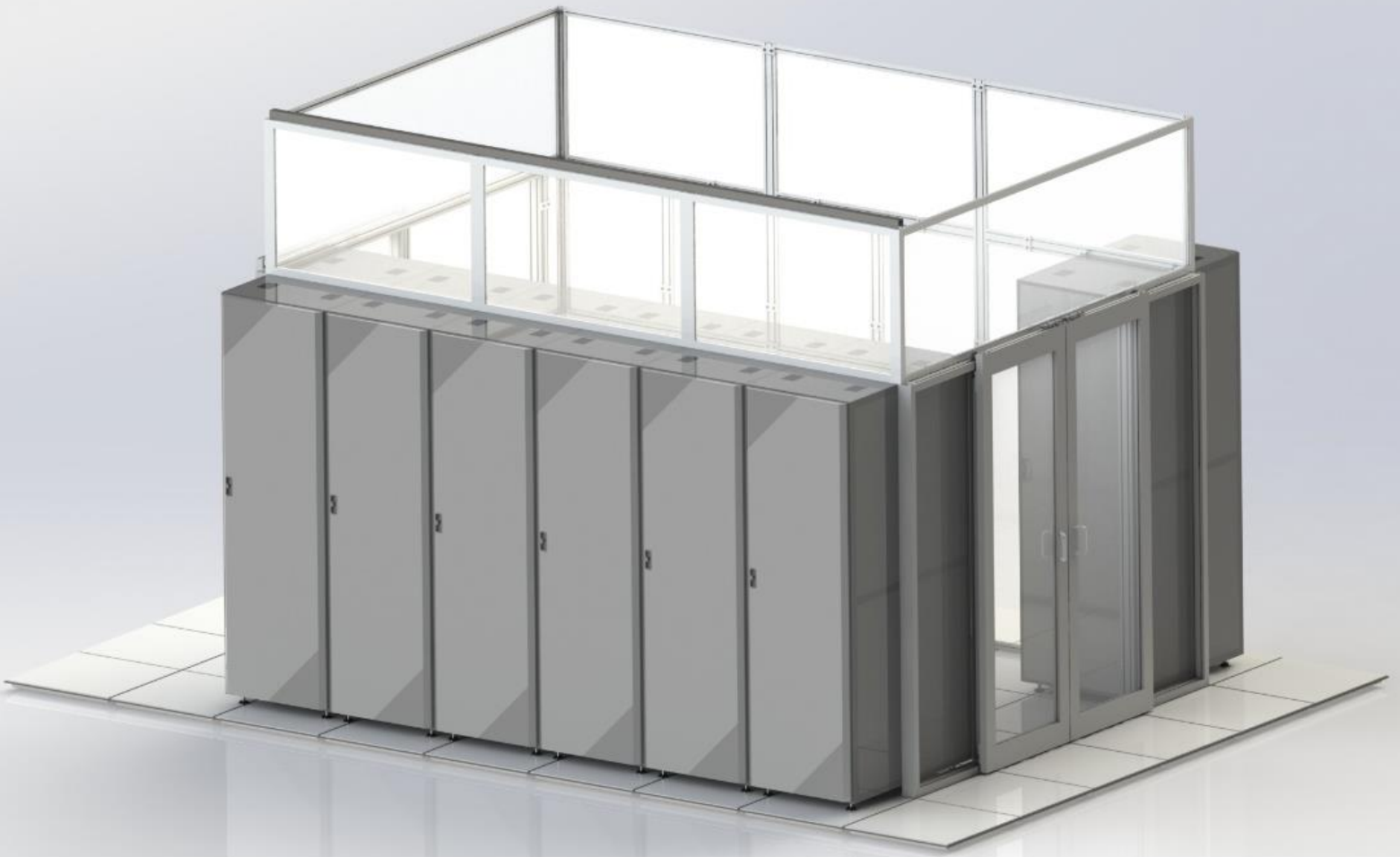




Elite LP Lite Series

# Slim Over Rack Panel

Install/User Guide





## Table of Contents

Safety Information .....	3
Warranty .....	3
Pre-Assembly .....	5
Planning Assembly .....	5
Tools Required .....	5
Hardware Included .....	5
Main Components .....	6
Assembly .....	6
Operation .....	8
Cleaning .....	8



## Safety Information

- While unpacking use caution with sharp objects such as razors to avoid damaging the product.
- A minimum of two people should be available to install this product.
- While drilling or using power tools safety glasses and gloves should be worn to avoid injury.

## Warranty

Subzero Engineering warrants to the original purchaser that it will, as its sole option, repair or replace this product or any part of this product, if it confirms that the product is defective in materials or workmanship under normal use and maintenance for one year after the purchase date of the product.

### **This limited 1 (one) year warranty DOES NOT COVER the following:**

1. Defects or damage arising from shipping, installation, alterations, accidents, abuse, misuse, lack of proper maintenance and use of other than genuine Subzero replacement parts, in all cases whether caused by a contractor, service company, the owner or any other person.
2. Deterioration through normal wear and tear.
3. Damages resulting from abuse or misuse from failure to install or maintain this product in accordance with the written instructions furnished by Subzero Engineering.
4. Use of Cleaning Products Containing Calcium Hypo Chlorite (Chlorine), Scouring Powders or pads shall not be covered.
5. Expense of normal maintenance.
6. All costs of removal, transportation, labor, reinstallation or other costs including postage and/or shipping costs to obtain warranty service shall be paid by the customer.
7. Any liability for consequential or incidental damages, all of which are hereby expressly disclaimed, and implied warranties, including those of merchantability or fitness for purpose intended are specifically excluded. (Some jurisdictions do not allow limitations on how long an implied warranty lasts, or the exclusion or limitation of incidental or consequential damages, so these limitations and exclusions may not apply to you.)



8. Responsibility for compliance with local code requirements are excluded from this warranty. (Since local code requirements vary greatly, distributors, dealers, installation contractors, and users should determine whether there are any code restrictions on the installation or use of a specific product.)

This limited warranty gives you specific legal rights. You may have other statutory rights that vary from state to state or from province to province, in which case this limited warranty does not affect such statutory rights.

### **Limited Warranty Contact Information**

For service under these limited warranties, it is suggested that a claim be made through the contractor or dealer from or through whom the product was purchased.

Warranty information may also be obtained by calling: (800) 692-4376 or via email at [customerservice@subzeroeng.com](mailto:customerservice@subzeroeng.com).



## Pre-Assembly

### Planning Assembly

Unpack all items and compare them to the Hardware Included and Package Contents lists. Lay all parts on a flat non-abrasive surface such as cardboard. If any item appears damaged or is missing, do not assemble and contact Subzero Engineering.

\*It is recommended that at least two people assemble this product

### Tools Required

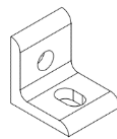
- Level
- Tape Measure
- Power Drill
- 1/4" Drill Bit
- Phillips and Flat Head Screwdriver

## Hardware Included



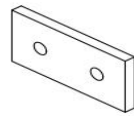
**HB50038**

#14x1 HWH TEC  
x 4



**1.2.151.12001**

2 Hole Corner  
Bracket  
x 2



**1.2.151.11001**

2 Hole Joining Strip  
x 2



**1.2.000.24260**

75s-M6 T-Nut  
x 6

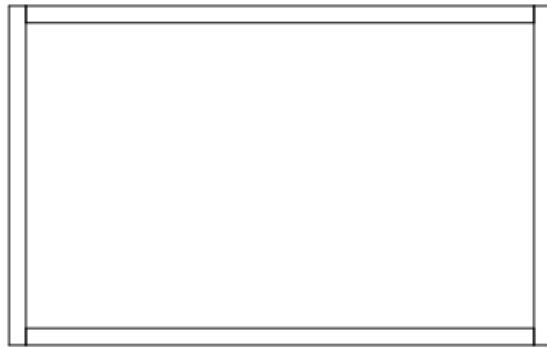


**1.2.000.20380**

M6x16 Flanged Head  
Cap Head Screw  
x 6



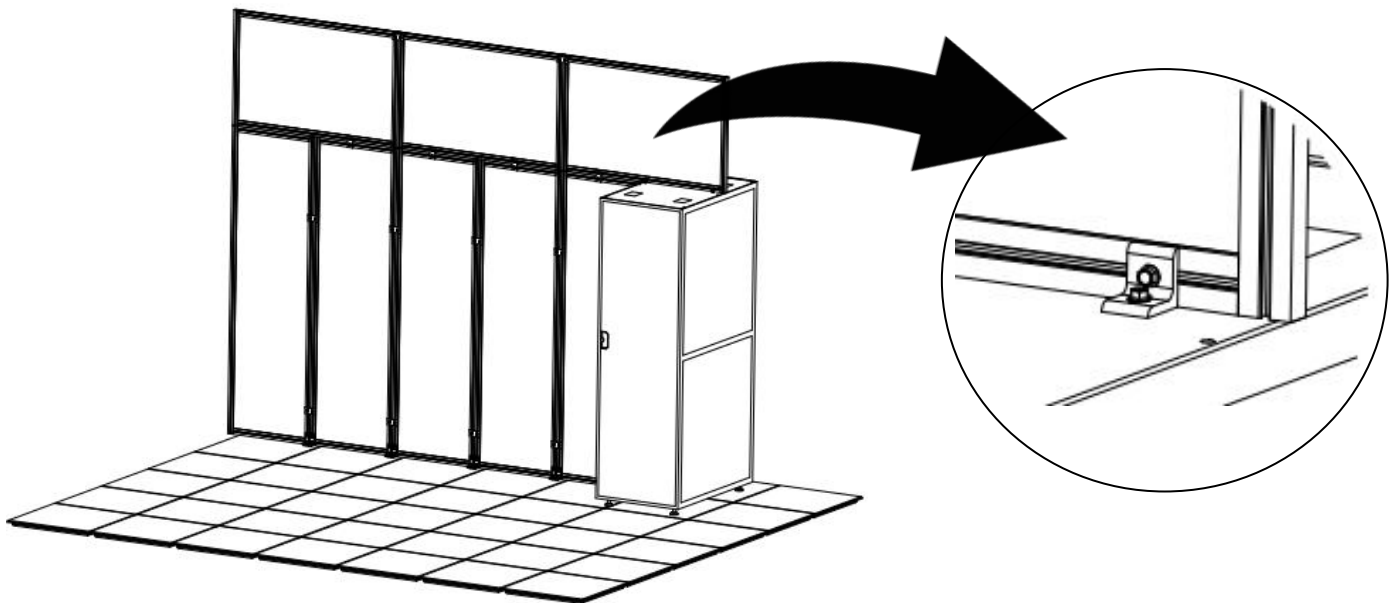
## Main Components



Over Rack Panel  
x1

## Assembly

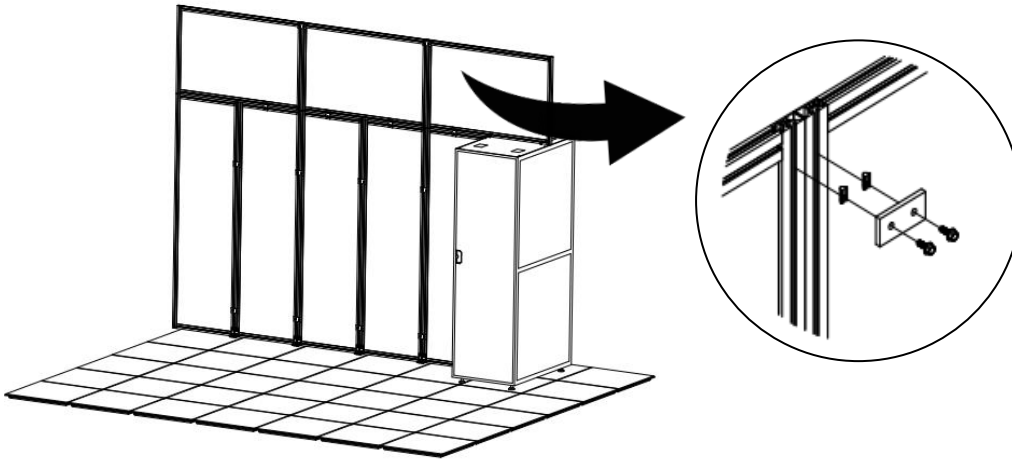
### 1. Attach Over Rack Panel to Rack



- 1.1. To secure corner panels, use the 2 Hole Corner Bracket (1.2.151.12001) with one 75s-M6 T-Nut (1.2.000.24260), one M6x16 Flanged Head Cap Screw (1.2.000.20380).
- 1.2. Use a #14x1 HWH TEC (HB50038) to fasten the panel to a rack.
- 1.3. Use a vacuum while drilling to ensure the particles do not enter server equipment.

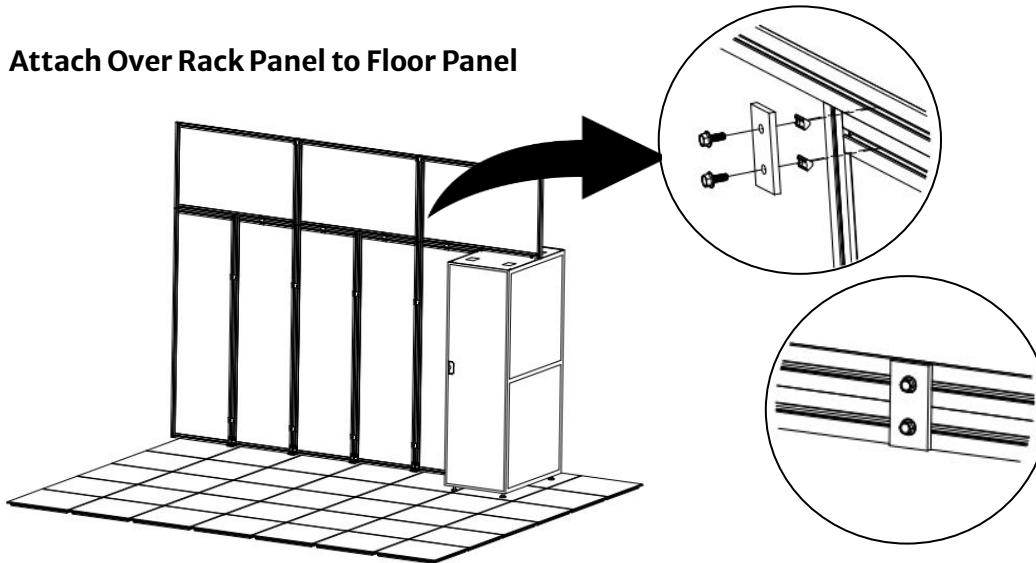


## 2. Attach Over Rack Panel to Over Rack Panel



- 2.1. Secure Panel to Panel using the 2 Hole Joining Strip (1.2.151.11001), two 75s-M6 T-Nut (1.2.000.24260) and two M6x16 Flanged Head Cap Screw (1.2.000.20380).
- 2.2. Repeat at the bottom of the panel.

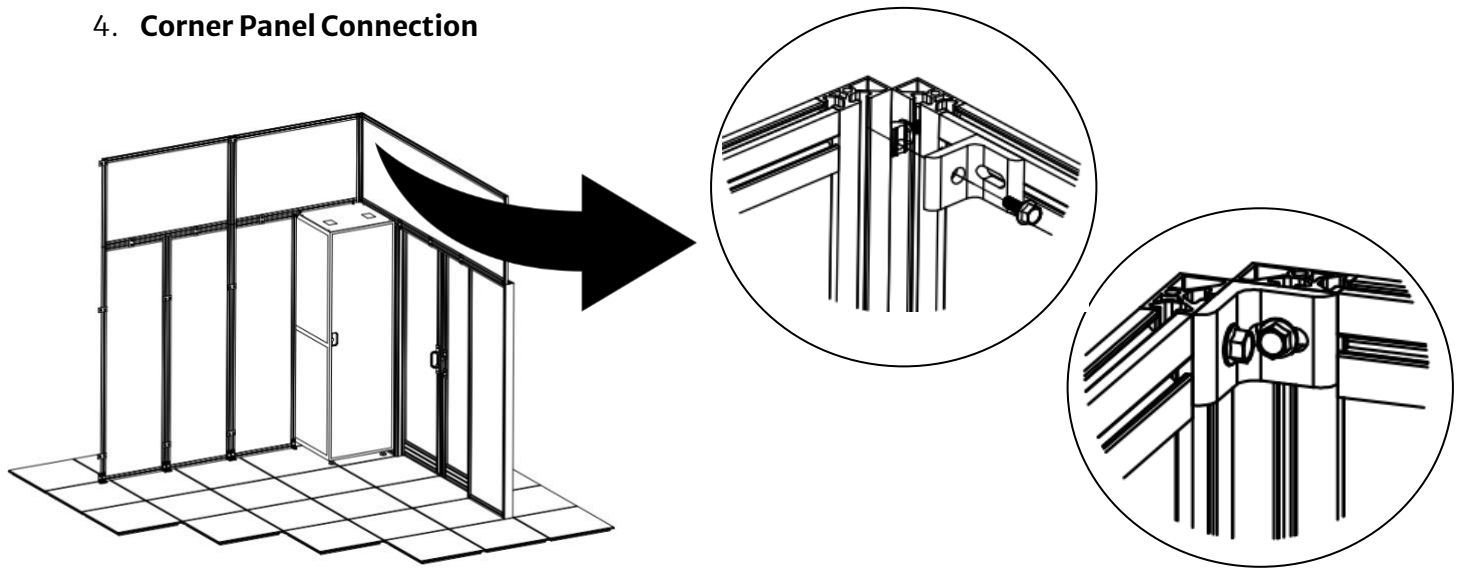
## 3. Attach Over Rack Panel to Floor Panel



- 3.1. Secure Panel to Panel using the 2 Hole Joining Strip (1.2.151.11001), two 75s-M6 T-Nut (1.2.000.24260) and two M6x16 Flanged Head Cap Screw (1.2.000.20380)
- 3.2. Repeat at the bottom of the panel.



#### 4. Corner Panel Connection



4.1. To secure corner panels, use the 2 Hole Corner Bracket (1.2.151.12001) with two 75s-M6 T-Nut (1.2.000.24260) and two M6x16 Flanged Head Cap Screw (1.2.000.20380).

4.2. You may use a #14x1 HWH TEC (HB50038) to fasten the panel to a solid structure.

## Operation

- Do not hang on the panel.
- Panel may tip over and cause an injury if not secured properly.

## Cleaning

- Use a soft cloth, mild detergent, and water.
- Do not use any abrasive pads or materials.
- Do not use harsh solvents or thinners.