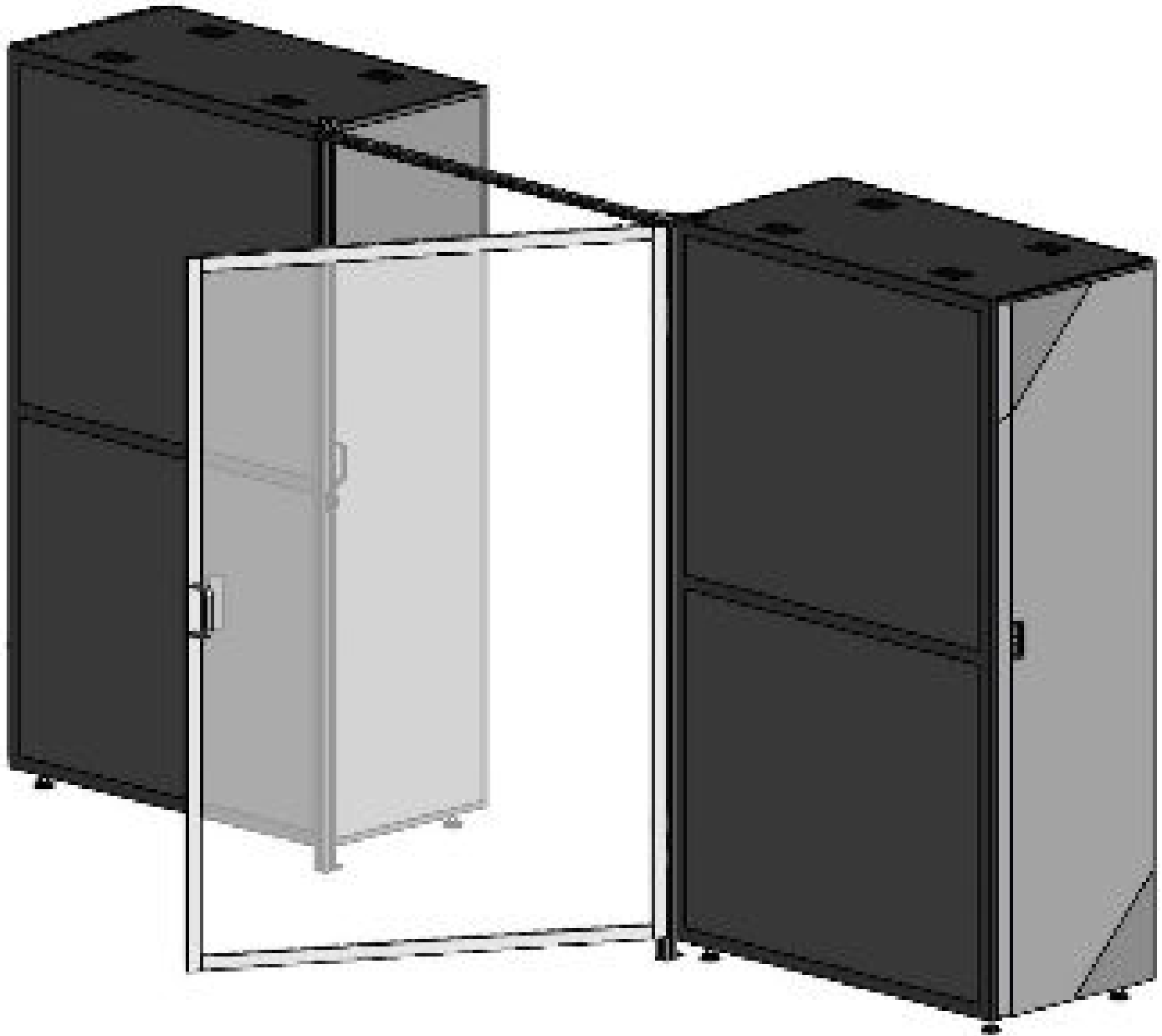




ECO Series

# LH Hinge Door

Install/User Guide



## Table of Contents

Table of Contents .....	2
Safety Information .....	3
Warranty .....	3
Pre-Assembly .....	5
Planning Assembly .....	5
Tools Required.....	5
Hardware Included.....	5
Main Components.....	6
Assembly .....	7

## Safety Information

- While unpacking use caution with sharp objects such as razors to avoid damaging the product.
- A minimum of two people should be available to install this product.
- While drilling or using power tools safety glasses and gloves should be worn to avoid injury.

## Warranty

Subzero Engineering warrants to the original purchaser that it will, as its sole option, repair or replace this product or any part of this product, if it confirms that the product is defective in materials or workmanship under normal use and maintenance for one year after the purchase date of the product.

This limited 1 (one) year warranty DOES NOT COVER the following:

1. Defects or damage arising from shipping, installation, alterations, accidents, abuse, misuse, lack of proper maintenance and use of other than genuine Subzero replacement parts, in all cases whether caused by a contractor, service company, the owner or any other person.
2. Deterioration through normal wear and tear.
3. Damages resulting from abuse or misuse from failure to install or maintain this product in accordance with the written instructions furnished by Subzero Engineering.
4. Use of Cleaning Products Containing Calcium Hypo Chlorite (Chlorine), Scouring Powders or pads shall not be covered.
5. Expense of normal maintenance.
6. All costs of removal, transportation, labor, reinstallation or other costs including postage and/or shipping costs to obtain warranty service shall be paid by the customer.
7. Any liability for consequential or incidental damages, all of which are hereby expressly disclaimed, and implied warranties, including those of merchantability or fitness for purpose intended are specifically excluded. (Some jurisdictions do not allow limitations on how long an implied warranty lasts, or the exclusion or limitation of incidental or consequential damages, so these limitations and exclusions may not apply to you.)
8. Responsibility for compliance with local code requirements are excluded from this warranty. (Since local code requirements vary greatly, distributors, dealers, installation contractors, and users should determine whether there are any code restrictions on the installation or use of a specific product.)

This limited warranty gives you specific legal rights. You may have other statutory rights that vary from state to state or from province to province, in which case this limited warranty does not affect such statutory rights.

**Limited Warranty Contact Information**

For service under these limited warranties, it is suggested that a claim be made through the contractor or dealer from or through whom the product was purchased.

Warranty information may also be obtained by calling: (800) 692-4376 or via email at [customerservice@subzeroeng.com](mailto:customerservice@subzeroeng.com).

# Pre-Assembly

## Planning Assembly

Unpack all items and compare them to the Hardware Included and Package Contents lists. Lay all parts on a flat non-abrasive surface such as cardboard. If any item appears damaged or is missing, do not assemble and contact Subzero Engineering.

\*It is recommended that at least two people assemble this product

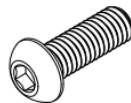
## Tools Required

- Level
- Tape Measure
- Power Drill
- 1/4 Concrete Drill Bit

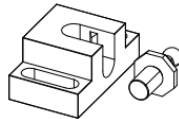
## Hardware Included



1.2.000.20343  
Flat Head Socket  
Screw M6x30  
x 2



1.2.000.20145  
Button Head,  
Socket Screw,  
M6x18  
x 2



SZ01389-01  
Ball Catch, Plastic  
1.89"x1.10"  
x 1



1.2.000.24232  
T-nut, Drop In,  
40s-M6  
x 6



1.2.001.31135  
Handle  
x 1



1.2.000.31132  
Handle, Pull-Push  
BK  
x 1



1.2.051.15110  
Bracket, Floor  
Mount Base 1"-  
05s CL  
x 2



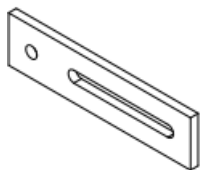
1.2.000.20142  
Button Head,  
Socket Screw,  
M6x12  
x 4



1.2.000.21115  
Hex Head, Concrete,  
1/4"x2-1/2"  
x 2



1.2.000.24014  
Nut, Hex, Locknut M8  
x 1



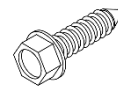
1.2.151.11023  
Strip, Joining 6", 2 Hole  
Slotted  
x 2



1.2.000.24230  
T-nut, Drop In,  
40s-M8  
x 4



1.2.000.20154  
Button Head,  
Socket Screw,  
M8x16  
x 4

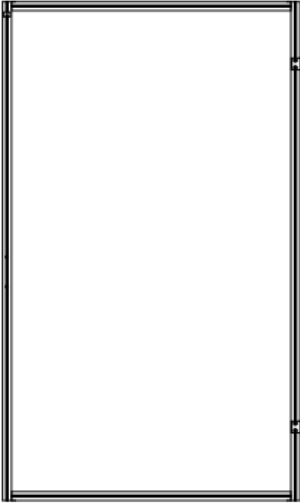


HB50038  
Hex Head, Self Drill  
#14x1  
x 2

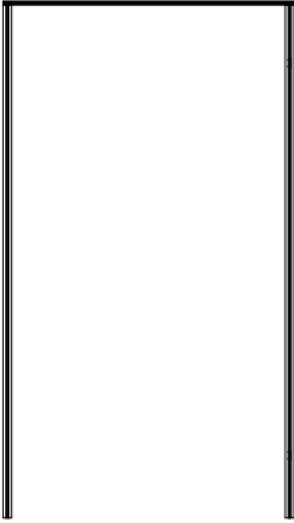


1.2.000.20154  
Button Head,  
Socket Screw,  
M8x16  
x 2

# Main Components



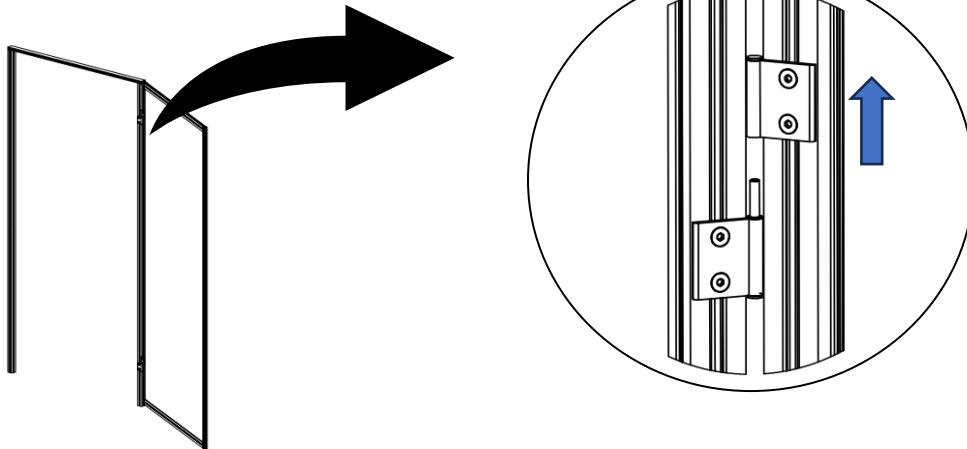
*Door*  
x 1



*Frame*  
x 1

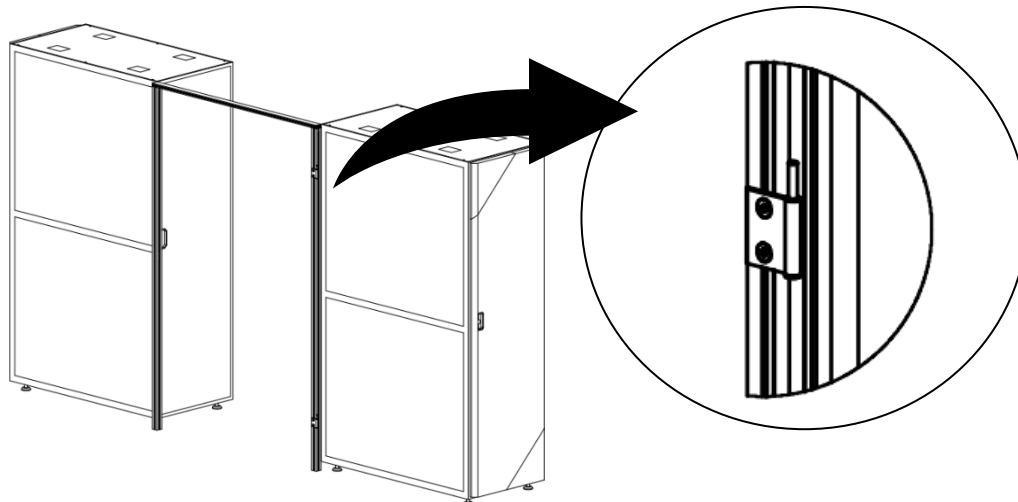
# Assembly

## 1- Disassemble Door-Frame



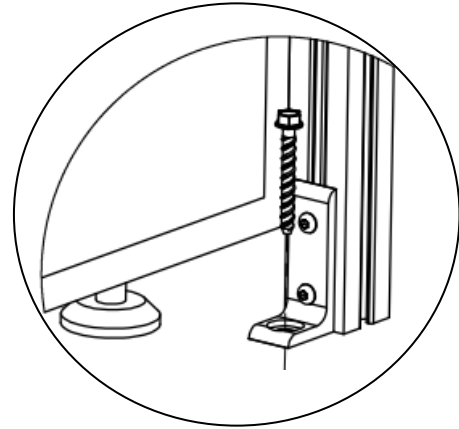
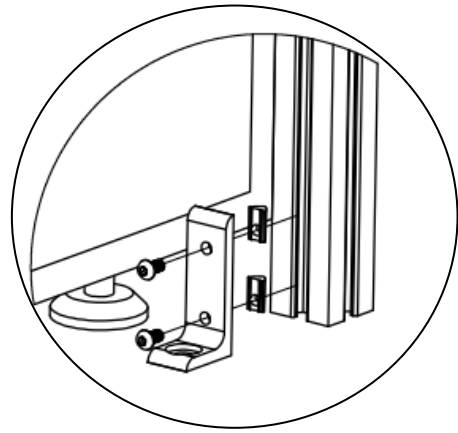
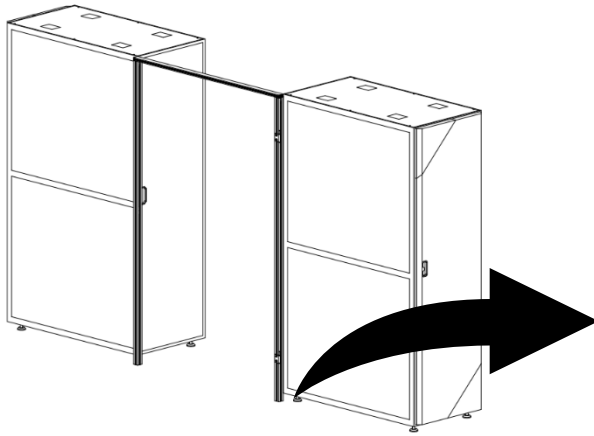
- 1.1 Door and frame should come pre-assembled from the factory. Disassemble them for a more convenient installation.
- 1.2 Lift the door until it comes out of the hinges.

## 2- Position Frame



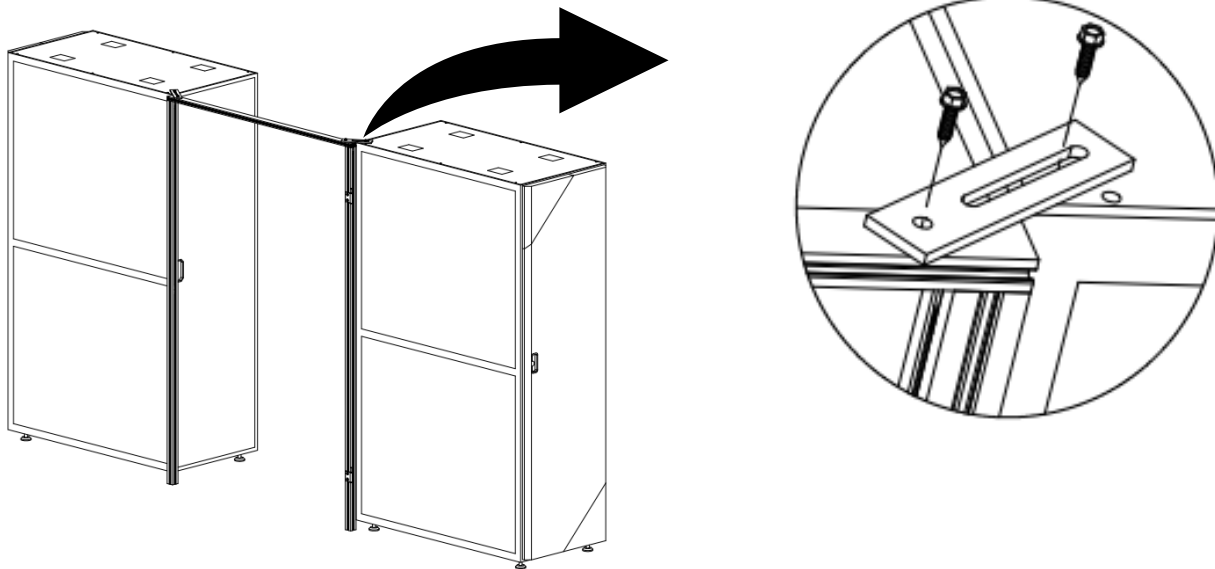
- 2.1 Position the frame ensuring it is plump, level, and square. Note racking structure may not be level, so a slight gap may be required behind/sides of the door frame
- 2.2 Note Hinges are facing outwards.

### 3- Secure the Frame to the Floor



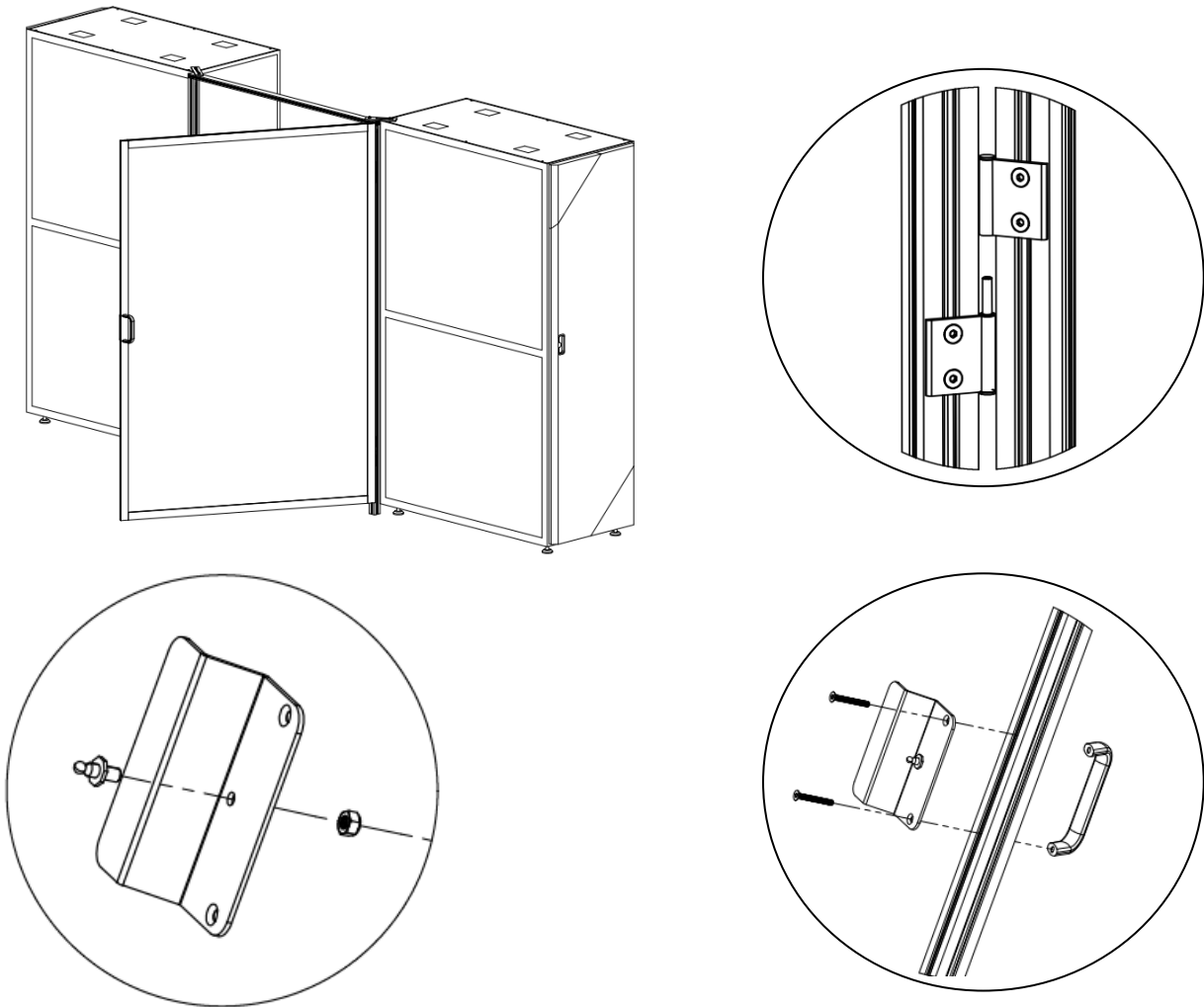
- 3.1 Use two 40s-M6 T-nut (1.2.000.24232), two M6x12 flanged head screw (1.2.000.20142) to secure the Floor Bracket (1.2.051.15110) to the frame.
- 3.2 Use a vacuum while drilling to ensure the particles do not enter server equipment.
- 3.3 Drill a pilot hole. Use a power drill and a ¼" concrete bit.
- 3.4 Secure the frame to the floor by fastening a 1/4x2x1/2" concrete fastener (1.2.000.21115).
- 3.5 Repeat for opposite side

#### 4- Secure to Upper Containment



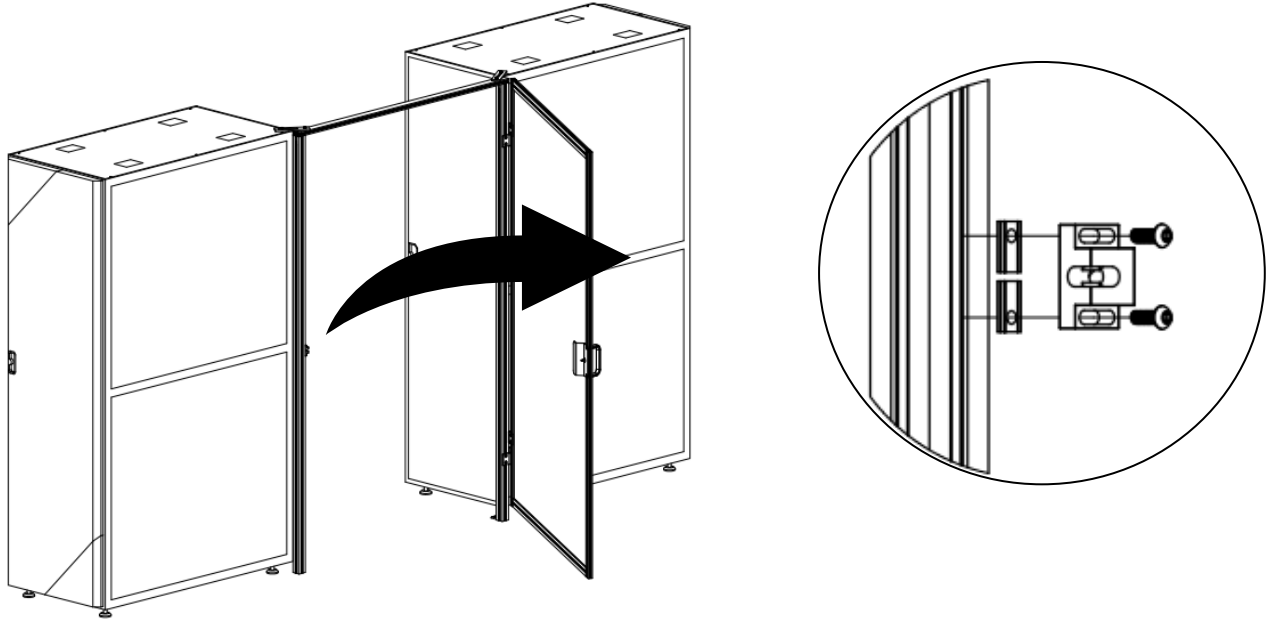
- 4.1 Attach the frame to the cabinets or above structure in at least two points.
- 4.2 Dry fit the 6in joining plate (1.2.151.11023) from the top of the door frame to the top of the rack.
- 4.3 After determining the optimal location for the joining plate, use a Hex Head self-drill #14x1 (HB50038) at least 2in away from edge of the frame, to secure to the header.
- 4.4 Secure the joining plate to the top of the rack with another Hex Head self-drill #14x1 (HB50038) **(Do not drill new holes into the rack, use the existing holes)**.
- 4.5 Repeat process on opposite side and ensure door is level.

## 5- Attach Door



- 5.1 Lift the door and, once the frame and door hinges are aligned, rest the door into the hinges.
- 5.2 Install the ball catch pin (SZ01389-01) on to the rear handle (1.2.000.31132) and secure it with the M8 locknut (1.2.000.24014)
- 5.3 Attach the door handle (1.2.001.31135) and rear handle (1.2.000.31132) using two M6x30 flat head socket caps (1.2.000.20343) to the predrill holes on the door as shown.

## 6- Attach Ball Catcher



- 6.1 Using two 40s-M6 T-nut (1.2.000.24232 ) with two M6x18 socket head screws (1.2.000.20145 ) install the Ball catch (SZ01389-01) to the frame. Do not tighten.
- 6.2 Gently close the door guiding the ball catch pin into the ball catch housing.
- 6.3 Slide the housing tight against the interior handle and tighten the screws connecting the frame to the housing.

## Operation

- Do not hang on the panel.
- Panel may tip over and cause an injury if not secured properly.

## Cleaning

- Use a soft cloth, mild detergent, and water.
- Do not use any abrasive pads or materials.
- Do not use harsh solvents or thinners.