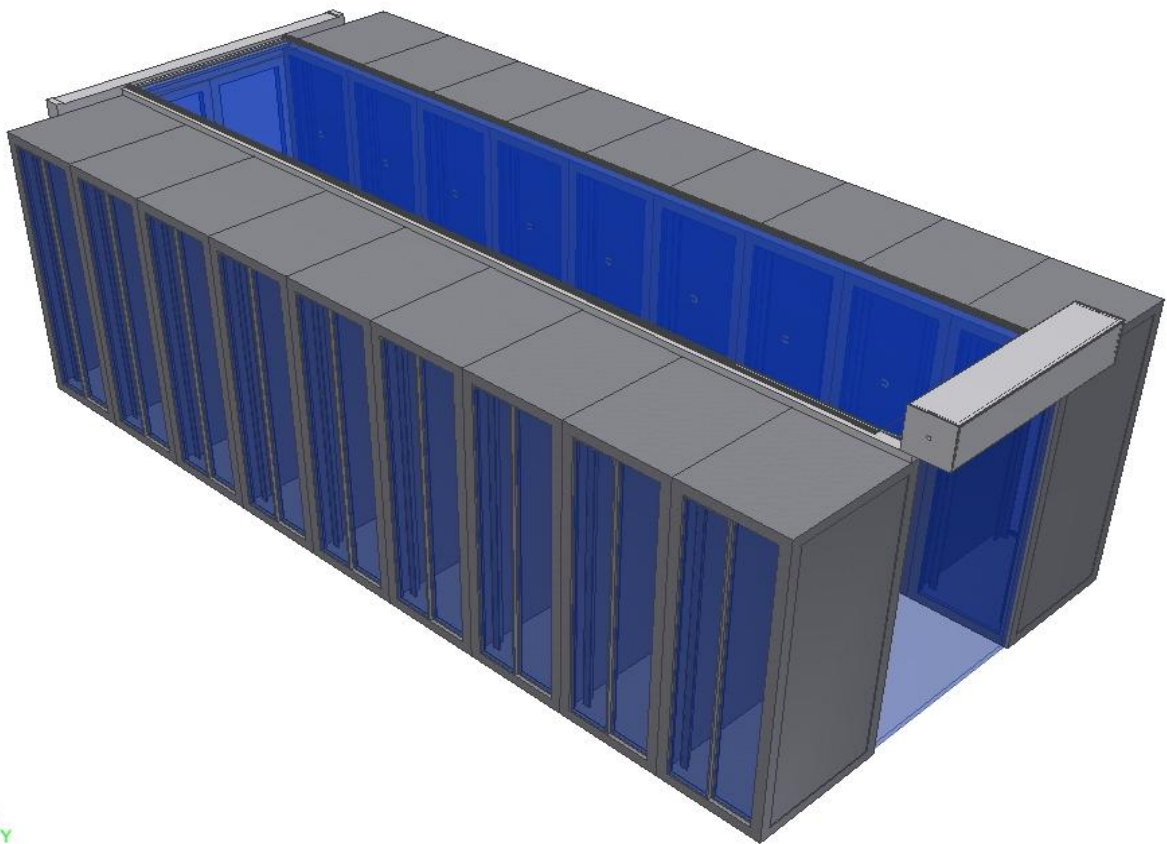




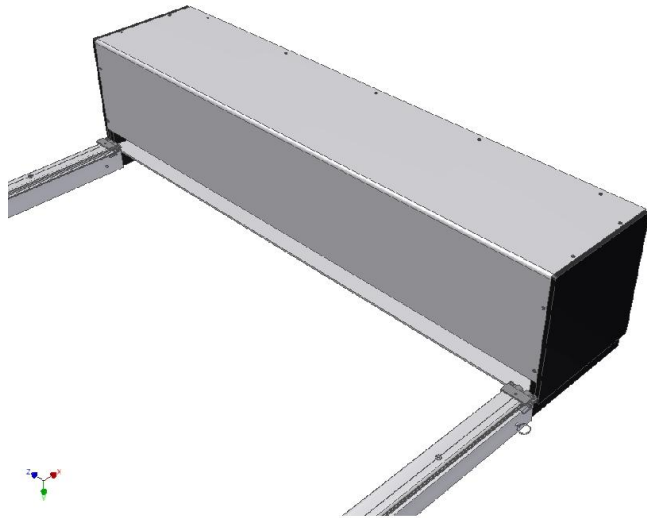
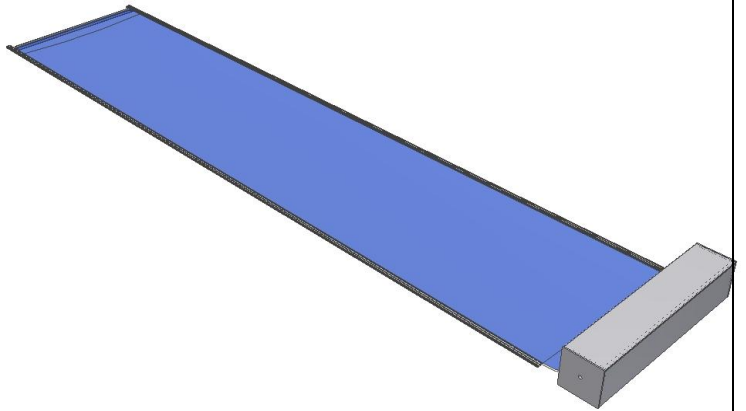
Polar Cap™ Aisle Roof

Model# FSRR



The Polar Cap™ (Patent Pending) aisle roof is a fully retractable cover that spans rack aisles so as to contain and or separate hot and cold airflow.

The Polar Cap™ is designed with a retractable roof that rolls up, the fire resistant clear vinyl, into a metal cassette should a fire suppression event occurs. This ensures that the fire suppression sprinkler pattern is not interrupted as well as removes the fire resistant material from being exposed to the fire.



Metal Cassette



Vinyl Attachment Slider

The Polar CAP™ spring loaded system can be fitted with two types of fire suppression links:

1. Thermal links that melt and release the system should temperatures go beyond a certain level
2. Electric links that are wired to the smoke detection system that release the Polar CAP™ before there is fire.

Both systems will ensure that the roof will roll up into the metal cassette and not interrupt the fire suppression sprinkler pattern.

PRODUCT SPECIFICATIONS*

ROOF PANEL COMPONENT

- Vinyl Roof is considered fire resistant.
- Meets requirements of California Fire Marshall
- Meets requirements of CPAI-84
- Meets requirements of NFPA-701
- 1,000 Hours U.V. - ASTM Weatherometer

ALUMINUM ALLOY

- Alloy - 6063*, T6 Temper
- Yield Strength (0.2% proof test) - Mpa = 200 Ksi = 29
- Tensile Strength - Mpa = 230 Ksi = 33
- Elongation A5 minimum 10%
- Elongation A10 minimum 8%
- Elasticity E approximately 10×10^6 psi or 10,000,000 psi (or lbs/sq. in)
- Hardness - Webster Model "B" 11-12
- Flatness - .004" per inch of width
- Straightness - .0125" per foot of length, not to exceed .120 over 20 feet of length
- Twist - Twist per foot of length does not exceed .25 degrees.