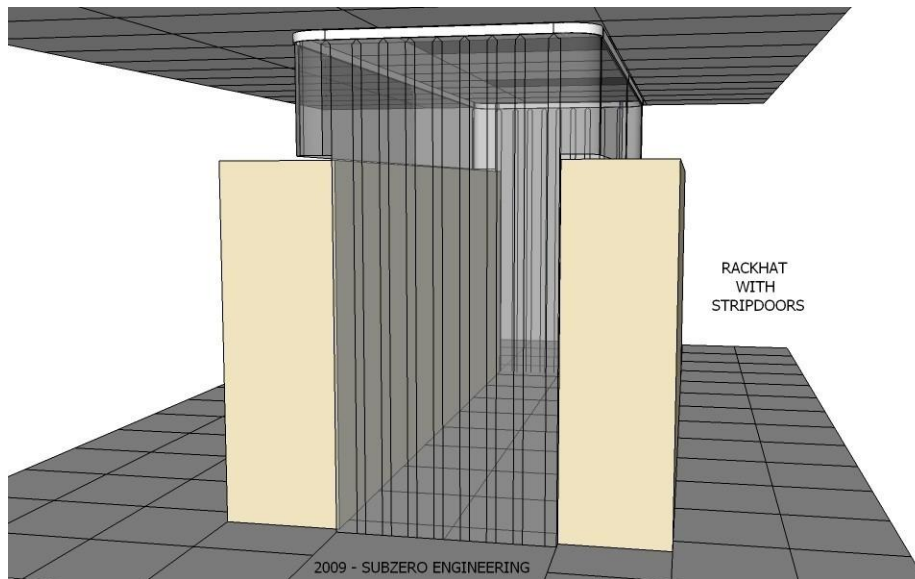




SubZero Engineering Rack Hat



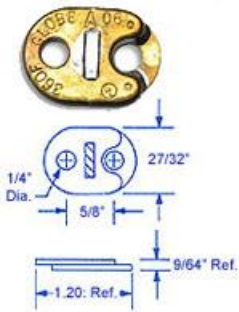
PRODUCT SPECIFICATIONS*

Fusible Link

The SubZero Rack Hat utilizes Globe Technologies Corporation Fusible Links.

UL # JGIX.R1431

Model A Fusible Link In The 135, 165, 212, 280, 360 F Temperature Ratings Rated For Loads 3-45 lbs incl.



Used For Fire Protection
Listed by Underwriters Laboratories, Inc.
Mechanical Heat Activated Device
Maximum Load = 45 lbs. (4.5 kg.)
Minimum Load = 3 lbs. (1.36 kg.)
Corrosion Resistant Construction
Brass Components
High Strength Symmetrical Shape
Solid Eye-to-Eye Connection

Vinyl Strip Doors & Curtains

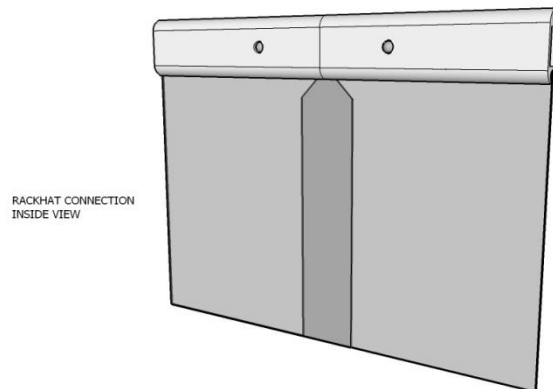
All vinyl curtains and strip doors are considered fire resistant.

Meets requirements of California Fire Marshall

Meets requirements of CPAI-84

Meets requirements of NFPA-701

1,000 Hours U.V. - ASTM
Weatherometer



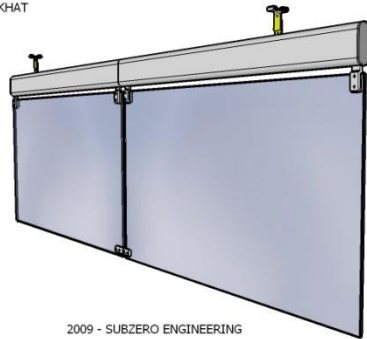
2009 - SUBZERO ENGINEERING

FM4910 Rigid Material

The FM4910 rigid material is a FM rated material for a superior flame retardant.

The Flame propagation index (FPI) 1.2,
Smoke Damage Index (SDI) 0.02,
Corrosion Damage Index (CDI) 1.1.

RACKHAT



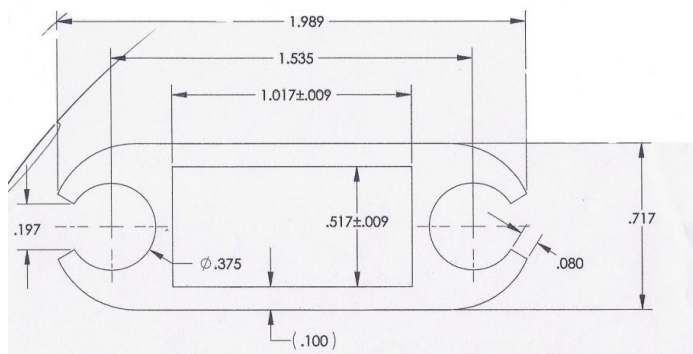
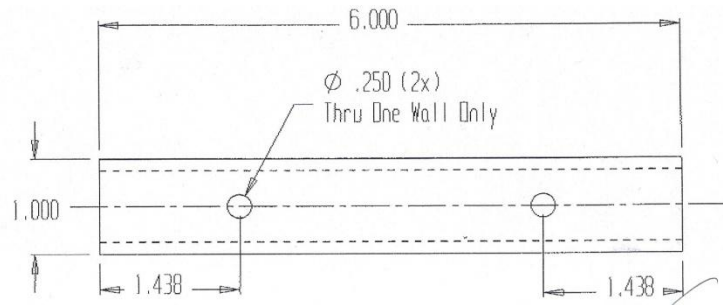
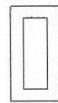
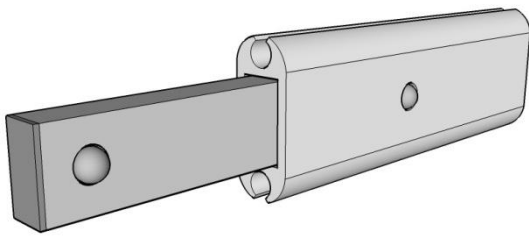
2009 - SUBZERO ENGINEERING

Aluminum Alloy Rails and Splicer

Aluminum Alloy 6063-T5 202-R1 Clear Anodized

6063-T5

T5 temper 6063 has an ultimate tensile strength of at least 22,000 psi (152 MPa) in thicknesses up to 0.5-inch (13 mm), and 21,000 psi (145 MPa) from 0.5 to 1.0-inch (25 mm) thick, and yield strength of at least 16,000 psi (110 MPa) up to 0.5-inch (13 mm) and 15,000 psi (103 MPa) (from 0.5 to 1.0-inch (25 mm)). It has elongation of 8%.



360° Rail Hanger

Material: Acetal



Property	Units	ACETAL
Water Absorption (Saturation)	%	2
Tensile Strength (73 F)	PSI	5,400
Flexural Strength (73 F)	PSI	7,300
Compressive Strength (10% Deflection)	PSI	8,000
Shear Strength (73 F)	PSI	6,000
Impact Strength, Notched Izod (73 F)	Ft-Lbs/In.	1.5
Elongation at Break (73 F)	%	15
Tensile Modulus of Elasticity (73 F)	PSI	200,000
Flexural Modulus of Elasticity (73 F)	PSI	220,000
Hardness - Rockwell & Burnell (73 F)	Various Scales	M50 (R115)
Density	Lbs/In	
Coefficient of Friction (Dynamic)	None	0.29
Wear Factor (K)	in. -min/Ft-Lbs-Hr	30
Limiting PV	PSI/FPM	2,000
Abrasion Resistance Index	None	
Coefficient of Linear Thermal Expansion	In./In./F	9.3 x 10-5
Continuous Service Temperature - in Air (max.)	F	180
Deflection Temperature (264 PSI)	F	225
Melting Point	F	320
Deformation Under Load (2000 PSI, 122 F)	%	-
Dielectric Strength	Volts/Mil	-
Volume Resistivity	Ohm-CM	1 x 10-11
Dielectric Constant (1 kHz)	None	-
Dielectric Constant (1 MHz)	None	4.31
Dielectric Constant (60 Hz)	None	4.95
Specific Gravity	None	1.33
Coefficient of Linear Thermal Expansion (-40 F to 300 F) (E-831)	None	9.3 x 10-5
Heat Deflection Temperature @ 264 psi (D648)	F	
Vicat Softening Point (D1525)	F	

Ceiling T-Grid Twist Connector

Material: Spring Steel

Twist-on to lock securely onto ceiling grid

7/16" diameter loop

1-1/2" Long



* Specifications are subject to change with out notice.
SubZero Engineering 2009 All rights reserved.